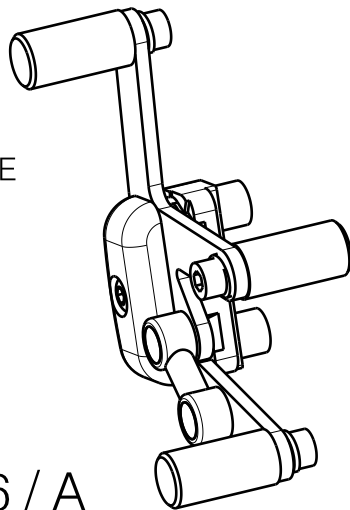
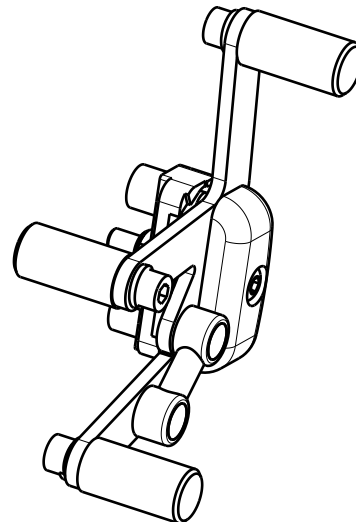


Material			
No.	Plan	Article	Quantity
1	X000350	G000779	3
2	X002139	1992426	1
3	X002140	1992427	1
4	X002141	1992435	1
5	X002165	1488300	2
6	X002167(L)	1992789(L)	1
	X002168(R)	1992790(R)	1
7	X002210	1489654	1
8	X002307	1499400	2
9	YP00552	1817554	1
10	D6,4	1000973	1
11	M6x20	1001493	3
12	M6	1001680	1
13	M6X40	1006111	1
14	D6x16	1992893	2
15	M6	1004414	3

LEFT BRAKE



RIGHT BRAKE



EP00056 / A

BRAKES GEMINI				Plan No.
				EP00056/ A
Scale: 2:3	Drafted	Verified	Confirmed	
Date	13/10/2011	13/10/2011	13/10/2011	
Initials	AZ	BS	TK	