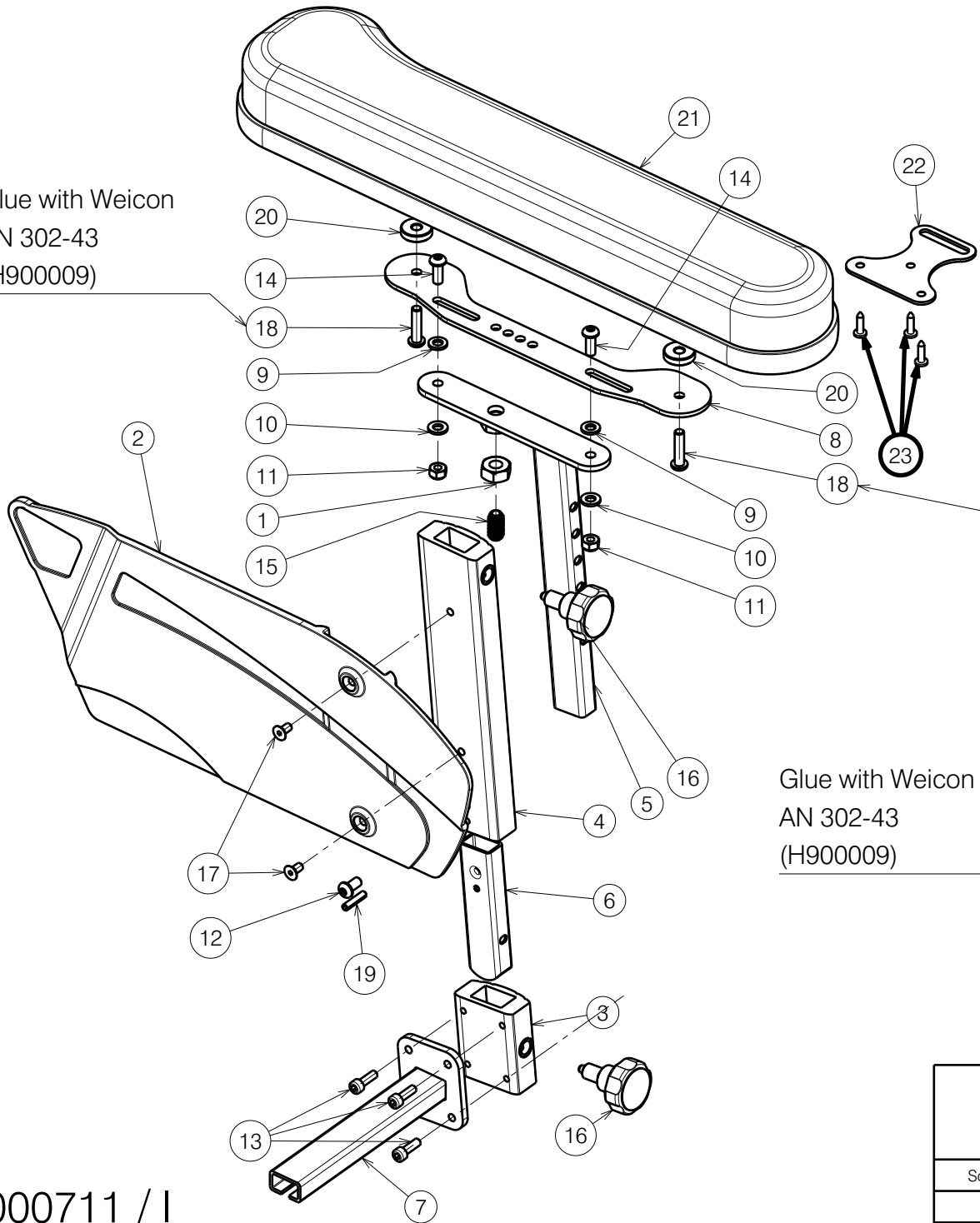


Glue with Weicon
AN 302-43
(H900009)



Glue with Weicon
AN 302-43
(H900009)

Material			
No.	Plan	Article	Quantity
1	M10 DIN934	1001672	2
2	X003347	1900204 (L)	1
	X003348	1900205 (R)	1
3	X004812	2051682	2
4	X004813	2051782 (L)	1
	X004814	2051882 (R)	1
5	Y008789	1659301	2
6	Y011205	1657901	2
7	Y011207	1658000 (L)	1
	Y011750	1662500 (R)	1
8	Y011751	1662654	2
9	M6 PVC DIN125A	1000973	4
10	M6 DIN125A	1001564	4
11	M6 DIN985	1001680	4
12	M6x12	1007000	2
13	M5x16 DIN912/8.8	1007198	8
14	M6x16	1008459	4
15	M10x19	1991432	2
16	Ø35 M10x1	1996819	4
17	M5x10 DIN7991/8.8	1999977	4
18	M6x25	1006998	4
19	Ø4x20 DIN1481	1009584	2
20	XP00227	2990147	4
21	---	1999992 (L)	1
	---	1999993 (R)	1
22*	YP05496	2713054	1
23*	Ø4x16	1003021	3

* For use with Table on Inovys II-E

Only left side depicted / Quantity for 1 pair

1907537

E000711 / I

ARM REST TYPE INOVYS 2				Plan No. E000711 / I
ARMSTEUN TYPE INOVYS 2				
Scale:	1:4	Drafted	Verified	Confirmed
Date	07/09/2011	09/02/2023	09/02/2023	
Initials	SD	DR	AS	

