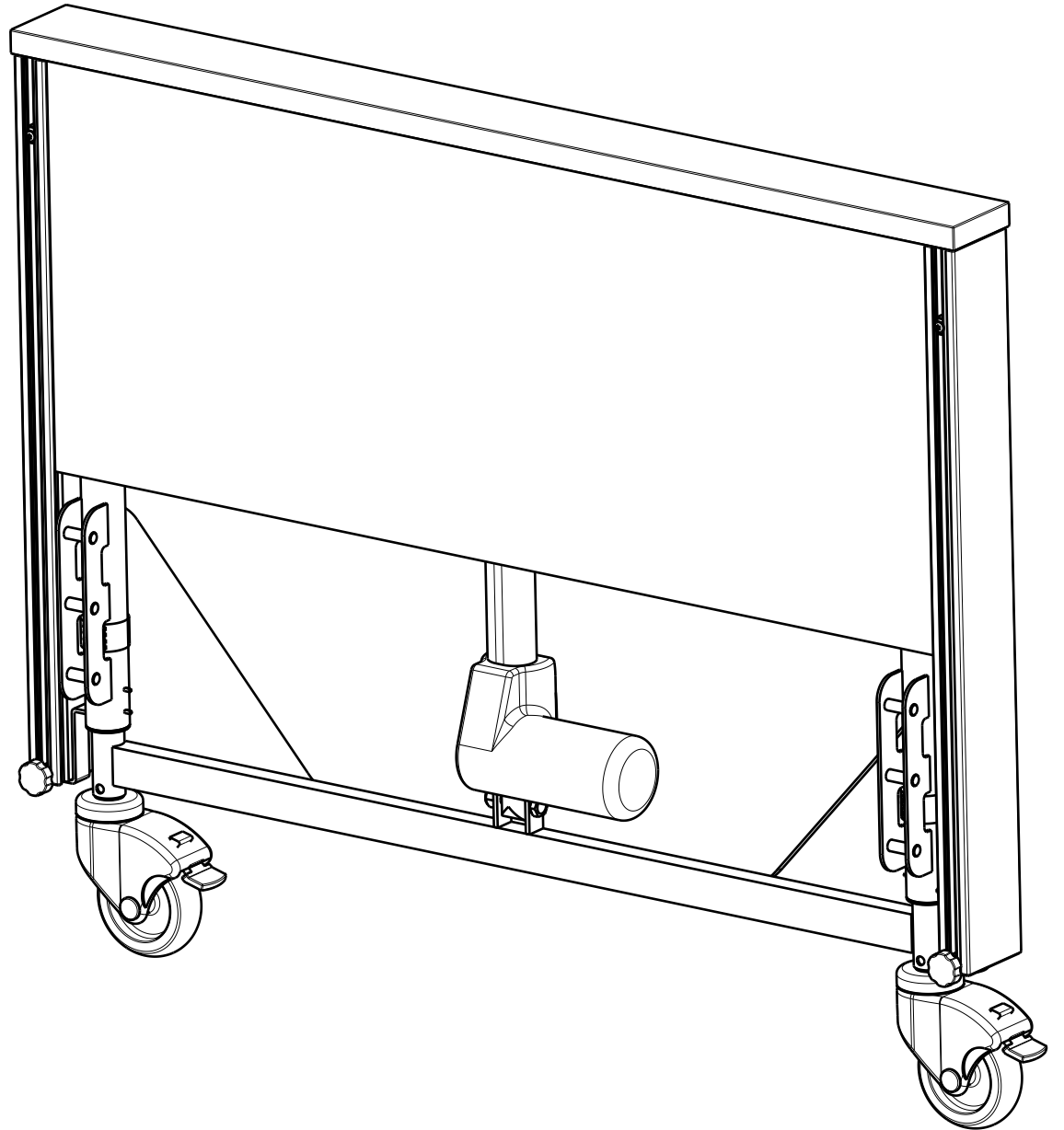


EP00206 / H

FRONT/REAR PANEL 996 LUNA 2				Plan No.
				EP00206/ H
Scale: 1:8	Drafted	Verified	Confirmed	1/2
Date	08/10/2015	01/08/2022	01/08/2022	
Initials	KR	PM	AZ	



Material			
No.	Plan	Article	Quantity
1	YP05177	2703037	1
2	YP05178	2703137	1
3	XP02983	2702937	2
4	X002822	1995716	2
5*	XP01397	2702400	4
6	---	1903974	2
7	XP02984	2996606	1
8	XP01399	2703900	1
9	X004564	1904875	2
10	---	1551600	1
11	---	1001572	2
12	---	1009318	2
13	---	1993130	6
14	---	1996200	1
15	---	1001683	1
16	StarKnob M6x15	1001577	2
17	---	1001252	2
18	StarlockD10	1009586	1
19	---	1001558	2
20*	---	1007000	2
21	---	2990070	2
22	---	1008675	8
23	XP00791	2818600	1
24**	---	W620117	1



* mounted in a higher position

** not depicted

EP00206 / H

FRONT/REAR PANEL 996 LUNA 2				Plan No.
2/2				EP00206/ H
Scale: 1:8	Drafted	Verified	Confirmed	
Date	08/10/2015	01/08/2022	01/08/2022	
Initials	KR	PM	AZ	