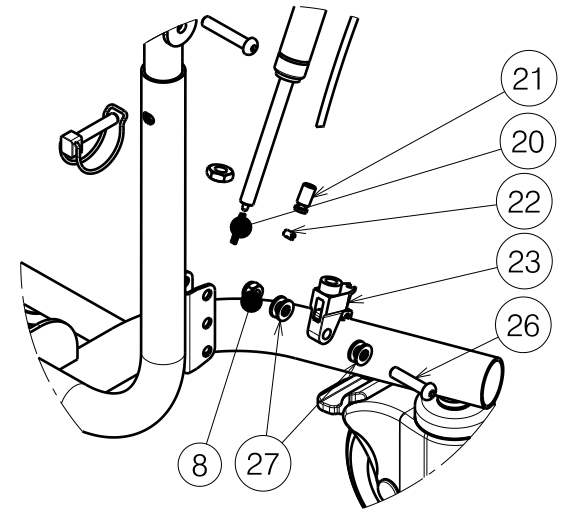


Detail A  
Scale: 2:11



E000185/L

COQUIL 1/2				Plan No. / Plannr.
				E000185/L
Scale / Schaal: 1:10	Drafted / Getekend	Verified / Nagezien	Confirmed / Bevestigd	
Date / Datum	11/02/05	15/12/2014	15/12/2014	
Init. / Init.	RM	MK	TK	

Material			
No. / Nr.	Plan / Rysunek	Article / Artykul	Number / Ilosc
1	YP00553	18176..	1
2	-	1995994	4
3	-	1001683	5
4	-	1001611	4
5	(XP00133)	GP01600	2
6	YP00683	18181..	2
7	YP00692	18215..	2
8	-	1001682	11
9	-	1994473	2
10	-	1992510	2
11	YP00709	18217..	1
12	YP00734	18268..	1
13	YP00693	18219..	2
14	XP00168	2990108	1
15	YP00541	18216..	1
16	-	1006111	4
17	-	1996806	1
18	-	1997798	1
19	X003695	1999983	1
20	-	1996947	1
21	-	1994750	1
22	-	1994749	1
23	-	1994748	1
24	-	1997378	1
25	-	1991628	1
26	-	1993236	1
27	-	1003199	6
28	X001158	G003317	1
29	---	1990648	2

E000185/L

COQUIL 2/2				Plan No. / Plannr.
				E000185/L
Scale / Schaal:	Drafted / Getekend	Verified / Nagezien	Confirmed / Bevestigd	
Date / Datum	11/02/05	15/12/2014	15/12/2014	
Init. / Init.	RM	MK	TK	