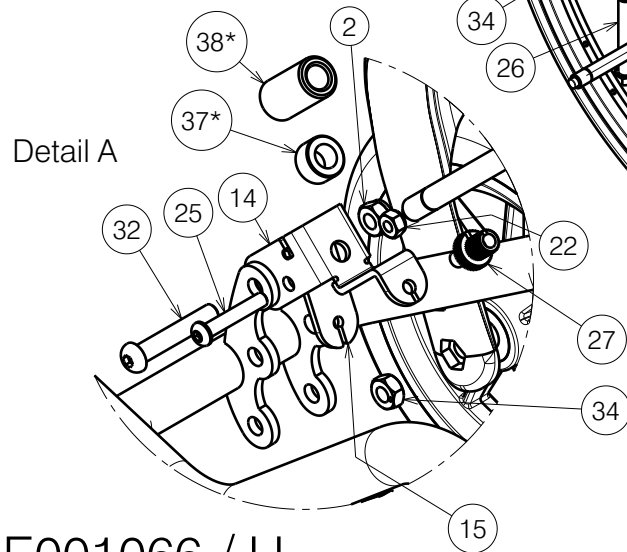
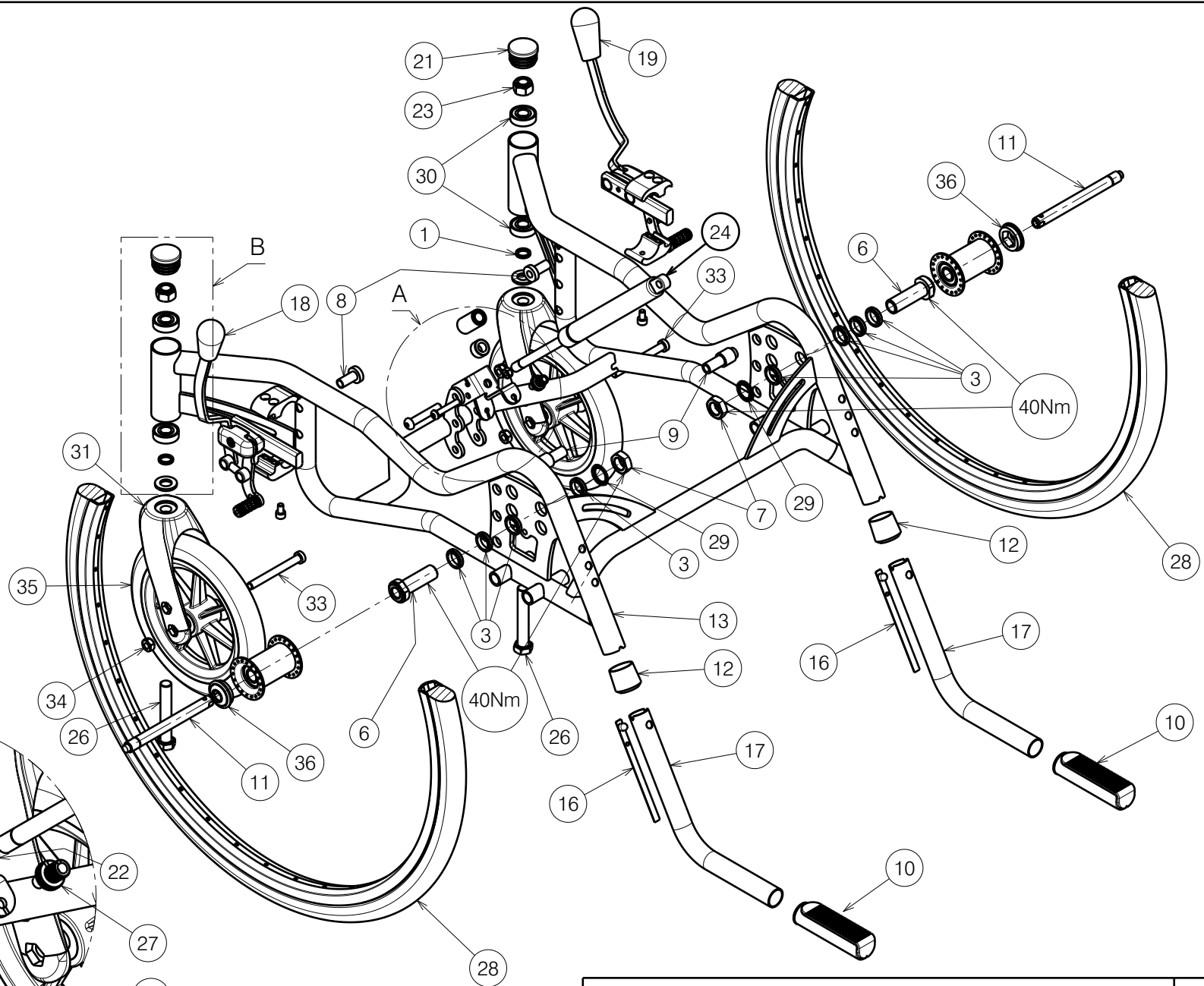


Detail B




Detail A



2993448

E001066 / H

| | | | | |
|---|------------|------------|------------|---|
| INOVYS 2 LOWER FRAME Page 1/2 | | | | Plan No. E001066 / H |
| Scale: 4:25 | Drafted | Verified | Confirmed |  |
| Date | 08/03/2017 | 12/08/2024 | 12/08/2024 | |
| Initials | SD | DR | AS | |

| Material | | | |
|----------|---------------|--------------|----------|
| No. | Plan | Article | Quantity |
| 1 | X000188 | G078500 | 2 |
| 2 | X001016 | 1001682 | 1 |
| 3 | X001380 | 1009726 | 8 |
| 6 | --- | 1905244 | 2 |
| 7 | X002437 | 1992699 | 2 |
| 8 | X003451 | 1658800 | 2 |
| 9 | X003452 | 1658900 | 2 |
| 10 | X003596 | 1998528 | 2 |
| 11 | X005720 | 1905243 | 2 |
| 12 | Y004353 | F000411 | 2 |
| 13 | Y010736 | 16386.. (40) | 1 |
| | Y011927 | 16596.. (45) | 1 |
| | Y011934 | 16597.. (50) | 1 |
| | YP06450 | 27342.. (35) | 1 |
| 14 | Y011640 | 1655100 | 1 |
| 15 | Y011652 | 1655200 | 1 |
| 16 | Y016422 | 1000181 | 2 |
| 17 | Y017901 | 1758901 | 2 |
| 18 | Left | 1910125 | 1 |
| 19 | Right | 1910126 | 1 |
| 20 | M12 DIN125A | 1001561 | 2 |
| 21 | D32 | 1001610 | 2 |
| 22 | M6 DIN985 | 1001680 | 1 |
| 23 | M12 DIN98 | 1001684 | 2 |
| 24 | 400N | 1005602 | 1 |
| ** | 150N | 1996871 | 1 |
| 25 | M6x35 ISO7380 | 1006057 | 1 |
| 26 | M12x75 DIN931 | 1009991 | 2 |
| 27 | M7 | 1900008 | 1 |
| 28 | 24 inch | 1914602 | 2 |
| 29 | M16 DIN17222 | 1911653 | 2 |
| 30 | --- | 1992559 | 4 |
| 31 | --- | 1992599 | 2 |
| 32 | M8x45 ISO7380 | 1994473 | 1 |
| 33 | M8x76 DIN7984 | 1998993 | 2 |
| 34 | M8 | 1998994 | 2 |
| 35 | 200x30 PVC | 1914608 | 2 |

E001066 / H

| Material | | | |
|----------|---------|---------|----------|
| No. | Plan | Article | Quantity |
| 36 | X003800 | 1900347 | 2 |
| 37* | X004032 | 1901832 | 1 |
| 38* | X002565 | 1993963 | 1 |


37* - use for frame width 35 with seat height 42

38* - use for frame width 35 with seat height 39

** - use gas spring 150N for Inovys Junior

*** Note: other front and rear wheels available

2993448

| | | | | |
|-----------------------------|------------|------------|------------|---|
| INOVYS 2 LOWER FRAME | | | | Plan No. |
| Page 2/2 | | | | E001066 / H |
| Scale: 4:25 | Drafted | Verified | Confirmed |  |
| Date | 08/03/2017 | 12/08/2024 | 12/08/2024 | |
| Initials | SD | DR | AS | |