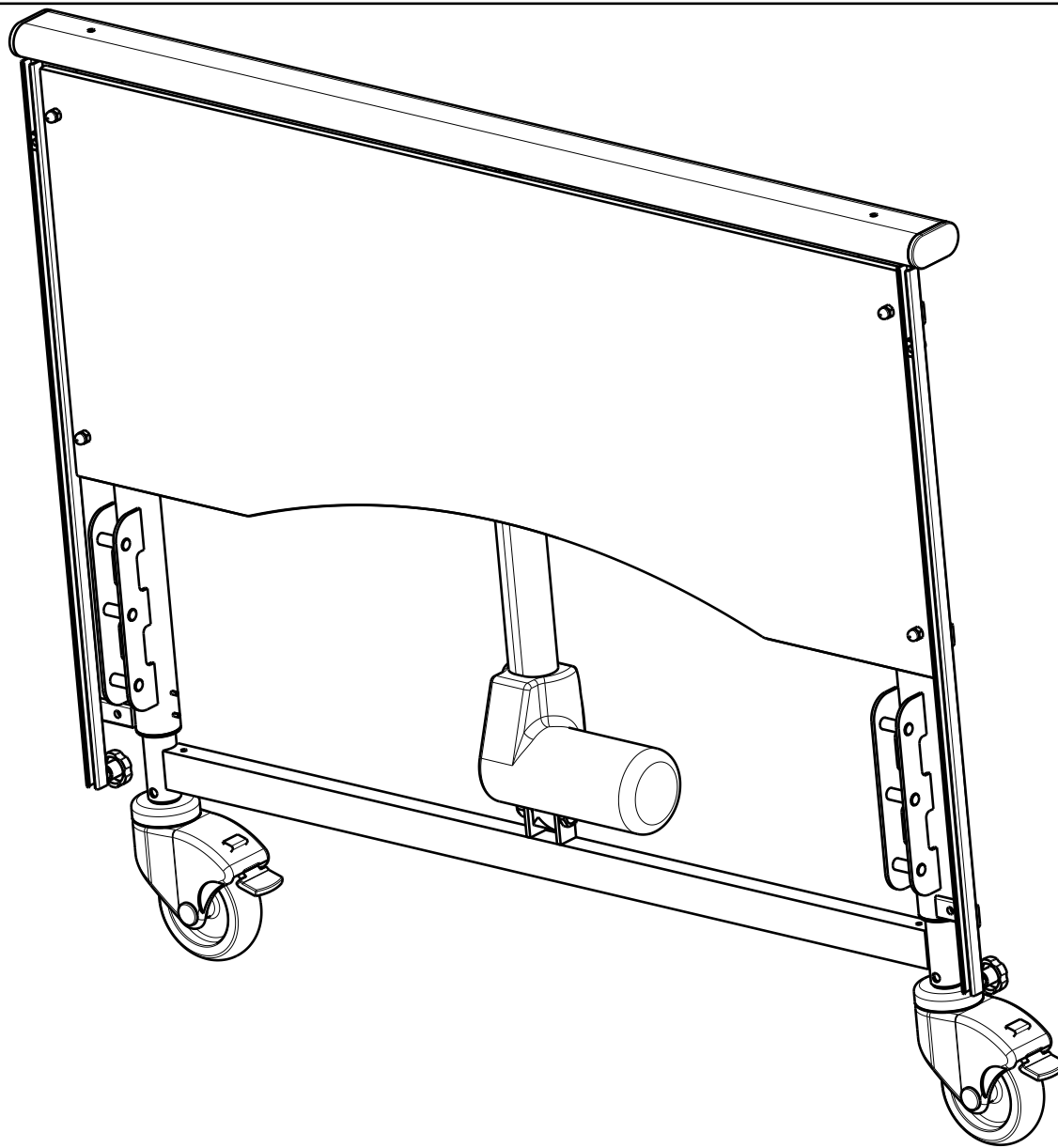


EP00199 / K

FRONT/REAR PANEL 996				Plan No.
LUNA BASIC 2				EP00199 / K
Scale: 1:8	Drafted	Verified	Confirmed	1/2
Date	24/03/2015	01/08/2022	01/08/2022	
Initials	AZ	MK	AZ	






Material			
No.	Plan	Article	Quantity
1***	YP05090	2899137	1
2	YP05178	27031	1
3	X002822	1995716	2
4	---	1551600	2
5	---	1903974	2
6	XP01404	2992902	1
7	X004564	1904875	2
8	M6 DIN 125 A	1008492	4
9	M6x20	1006999	4
10	M12x30 DIN 912/8.8	1009318	2
11	D3x8 DIN 7343	1993130	6
12	Motor LA27	1996200	1
13	---	2992990	2
14	M10 DIN 985	1001683	2
15	Star Knob M6x10	1003658	2
16	M12 DIN 127 A	1001572	2
17	Wheels	1001252	2
18*	XP01397	2702400	2
19*	---	1007000	2
20**	---	W620117	1

* mounted in a higher position / montować w wyższej pozycji

** not depicted / niewidoczny

*** thread M6 when installing / gwintować M6 przy montażu

EP00199 / K

FRONT/REAR PANEL 996				Plan No.
LUNA BASIC 2				2/2 EP00199/ K
Scale: 1:8	Drafted	Verified	Confirmed	
Date	24/03/2015	01/08/2022	01/08/2022	
Initials	AZ	MK	AZ	