

Material			
No.	Plan	Article	Quantity
1	Y011619	1643500	2
3	Y015605	1721882	1
4	Y015621	1721782	1
5	Y015658	1721501	2
6	---	1998407	2
8	X004559	1904586	2
9	XP00176	1824100	2
10	XC00423	3991837	2
11	XP00180	1824500	2
12	XP00192	1826100	2
13	XP00297	2990125	2
14	---	1001602	2
15	---	1001678	2
16	---	1904866	4
17	---	1008459	4
18	---	1900952	2
20	---	1902015 (32)	2
		1902016 (33)	2
		1902017 (34)	2
		1902018 (35)	2
		1902019 (36)	2
		1902020 (37)	2
		1902021 (38)	2
		1902022 (39)	2

Note 1: (XX) Colour code

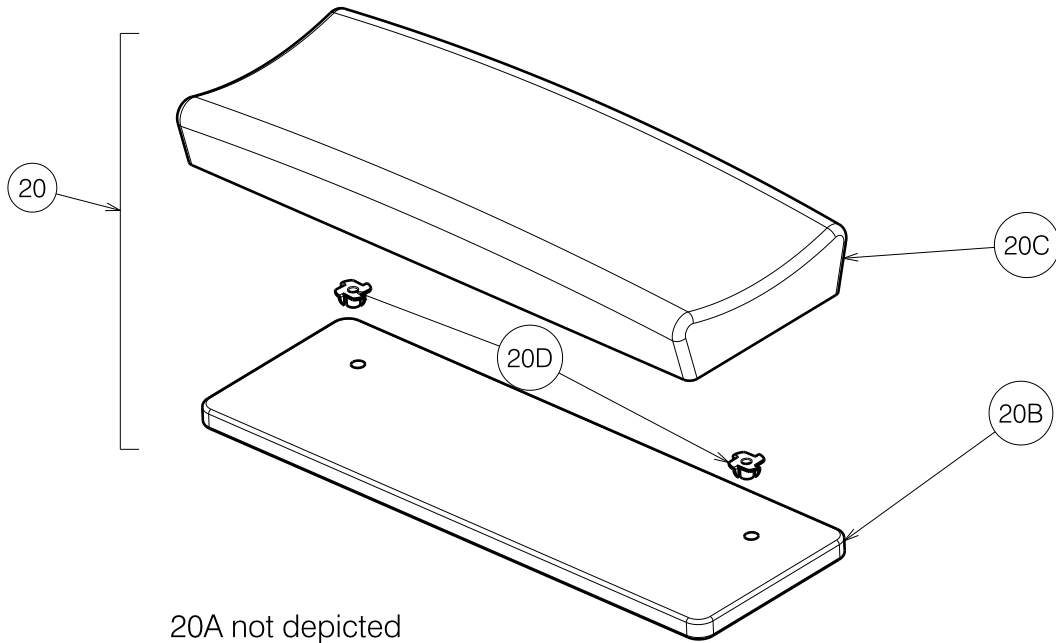
Note 2: 20A not depicted

1904660

DONOR ARMREST COMFORT CHAIR 2009 Sheet 1/2				Plan Number
				E000576/J
Scale: 1:5	Drafted	Verified	Confirmed	
Date	23/07/2009	16/11/2020	16/11/2020	
Initials	SD	SD	PJ	

Upholstery Material										
	Colour code	32	33	34	35	36	37	38	39	
No.	Plan	Article								Quantity
20	---	1902015	1902016	1902017	1902018	1902019	1902020	1902021	1902022	2
20A	---	1998124	1997840	1998125	1998126	1998127	1998128	1998129	1998130	2
20B	X004548	H7618								2
20C	X004435	1904736								2
20D	---	1992516								4

Quantities are for one pair



1904660

DONOR ARMREST COMFORT CHAIR 2009 Sheet 2/2				Plan Number
				E000576/J
Scale: 1:5	Drafted	Verified	Confirmed	
Date	23/07/2009	16/11/2020	16/11/2020	
Initials	SD	SD	PJ	