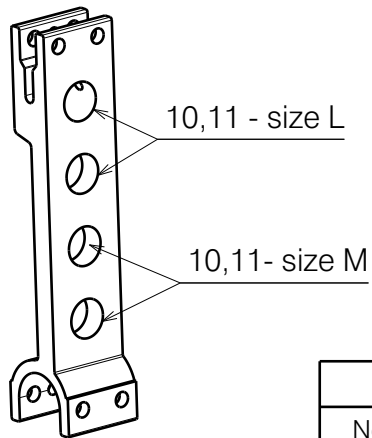


Left side only depicted.

FOR Bi5, Bi5A, Bi5SA			
No.	Plan	Article	Quantity
1	X005565	1912287	1
2	X004689	1734600	2
3	M6X55 DIN912	1908726	2
4	M5x20 DIN912	1003907	4
5	M5 DIN985	1001679	4
6	M6	1008492	2
7	XP03080	2996656	1

Armrest Bi5 A and Bi5 SA			
No.	Plan	Article	Quantity
9	YP09263	2642565	1
	YP09262	2642465	1
10	YP07443(R)(L)	27635..	1
	YP07444(L)(L)	27636..	1
	YP07999(R)(M)	26176..	1
	YP08000(L)(M)	26177..	1
11	YP07446(R)(L)	27637..	1
	YP07447(L)(L)	27638..	1
	YP08487(R)(M)	26178..	1
	YP08488(L)(M)	26179..	1
12	XP03353	GP27599	1
13	XP01730	GP112	1
14	M5 DIN125 A	2994069	2
15	M5 DIN985	2994006	2
16	M5x12 ISO 7380	2994074	4
17	---	1003299	0,8m
18	XP02274(R) (Large)	2996467	1
	XP02275(L) (Large)	2996468	1
	XP02272(R) (Small)	2996465	1
	XP02273(L) (Small)	2996466	1
19	M5x6 DIN912	1997822	1



Armrest Bi5			
No.	Plan	Article	Quantity
8	Armrest Bi5	E001038	1

V500 ACTIVE BI5			
Scale:	1:4	Drafted	Verified
Date	23/01/2023	15/06/2023	15/06/2023
Initials	AS	DR	AS

Plan No.
E00050770/C1.1

