

Overview					
Model	Type	Article	Plan number	Old article	Old plan number
A	B02 V-series	2008754	Y021062	1785254	Y019321
	B03 V-series			1739854	Y016846
				1739854	Y016846
B	B05 V-series	1785254	Y019321	1758854	Y017854
	B04 V-series			1758854	Y017854
	Timix GT			---	---
	Timix / Forest 3			---	---
	Inovys			---	---
	Navix			1669954	Y012236
	Forest / Express			1671554	Y012536
	Ascend			1671554	Y012536
EZ-1	1671554	Y012536			
C	B02 708D	1779054	Y018970	1381504	Y002529
	B03 708D			1378304	Y002524
	B02 Eclips			1553654	Y005617
	B03 Eclips			1553954	Y005627
D	B05 708D B05 Eclips	1548354	Y005478		
E	Serenys	1608254	Y007792		
	Serenys 917*	1662354	---		
	Alesia	1690374	Y014119		
	Comfort chair	1671982 / 1672082	Y012628 Y012629		
F	B04 V-series B15 (diff.models)	2019454	Y021909		

* Not depicted

Eclips X4 kids -- E000911; Forest Kids / Springer -- E000912

Wooden table: E000538

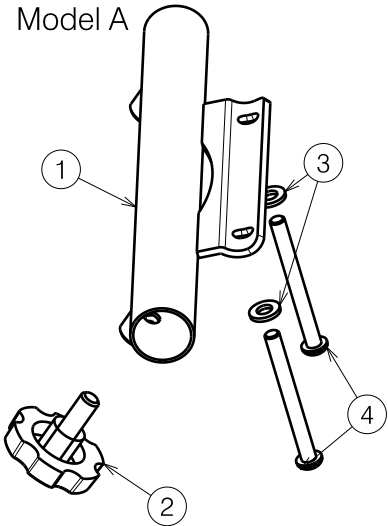
Plexi table manual wheelchair: E000633

Plexi table electro: E000744

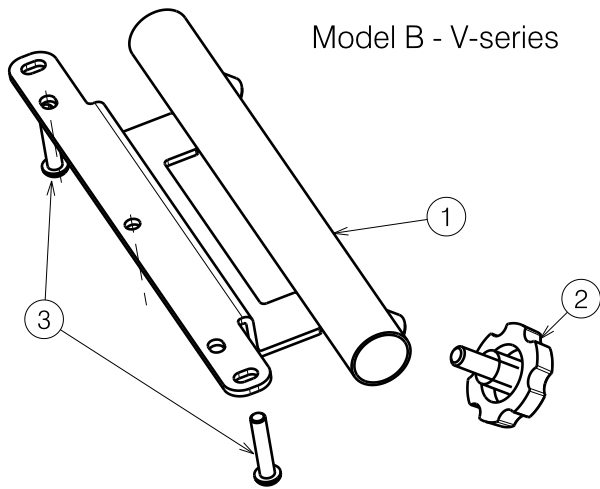
Plastic table B15A: EP00190

UNIVERSAL B13 2013				Plan No.
				P000025 / H
Scale: 1:8	Drafted	Verified	Confirmed	
Date	20/03/2013	31/05/2021	31/05/2021	
Initials	SD	SD	PJ	

Material / Materiaal - Model A			
No. / Nr.	Plan	Article / Artikel	Quantity / Aantal
1	Y021062	2008754	2
2	M8x16	2990024	2
3	M6 DIN125A	1001564	4
4	M6x60	1992915	4



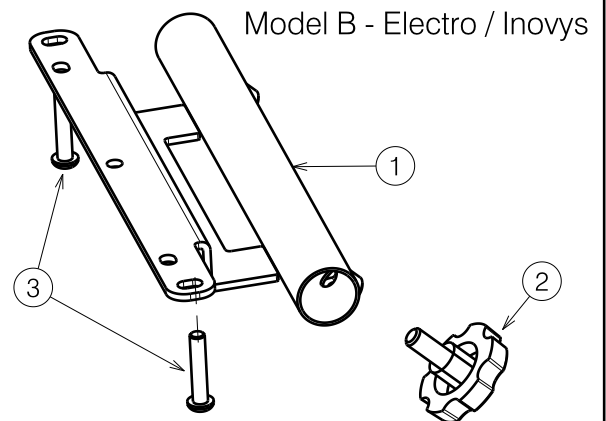
*For B15A table (EP00190) double the quantity



Material / Materiaal - Model B V-series			
No. / Nr.	Plan	Article / Artikel	Quantity / Aantal*
1	Y019321	1785254	1
2	M8x16	2990024	1
3	M6x10	1900641	2

*For B15A table (EP00190) double the quantity

Material / Materiaal - Model B Electro / Inovys			
No. / Nr.	Plan	Article / Artikel	Quantity / Aantal*
1	Y019321	1785254	1
2	M8x16	2990024	1
3A	M6x16	1008459	2
3B	M6x20	1006999	2
3C	M6x30	1900641	2
3D	M6x60	1992915	2



*For B15A table (EP00190) double the quantity

3A: Timix GT / Timix / Forest 3

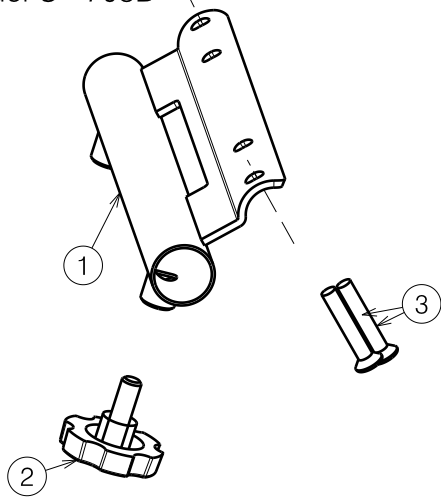
3B: EZ1

3C: Inovys / Navix

3D: Ascend / Forest / Express

UNIVERSAL B13 2013				Plan No.
				P000025 / H
Scale: 1:3	Drafted	Verified	Confirmed	
Date	20/03/2013	31/05/2021	31/05/2021	
Initials	SD	SD	PJ	

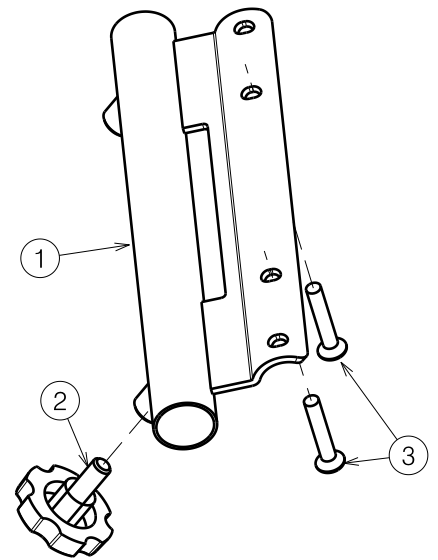
Model C - 708D



Material / Materiaal - Model C 708D			
No. / Nr.	Plan	Article / Artikel	Quantity / Aantal*
1	Y018970	1779054	1
2	M8x16	2990024	1
3	M6x40 DIN966	1009803	2

*For B15A table (EP00190) double the quantity

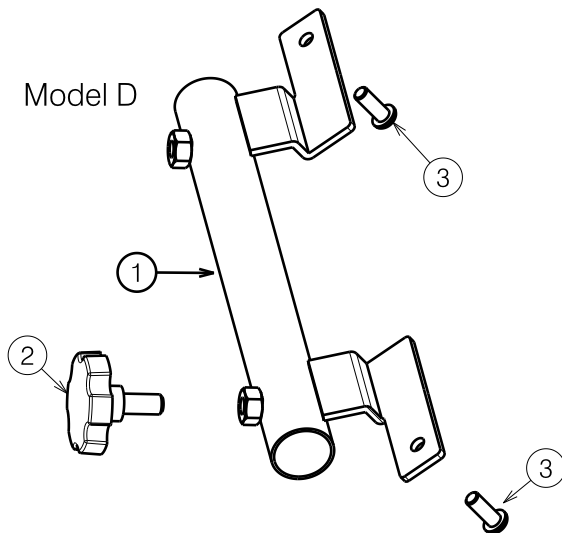
Model C - Eclips / Jazz



Material / Materiaal - Model C Eclips / Jazz			
No. / Nr.	Plan	Article / Artikel	Quantity / Aantal*
1	Y018970	1779054	1
2	M8x16	2990024	1
3	M6x35 DIN966	1003903	2

*For B15A table (EP00190) double the quantity

Model D

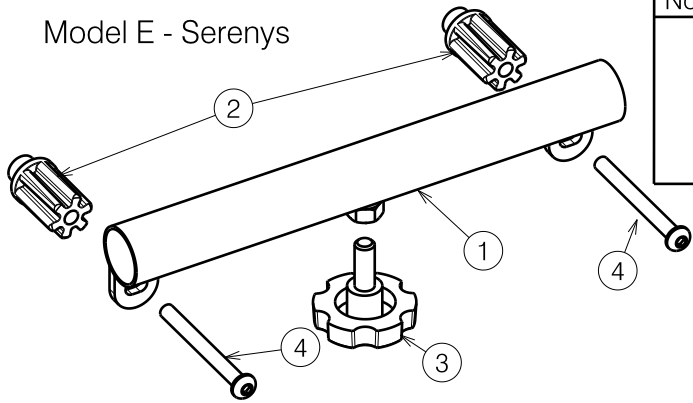


Material / Materiaal - Model D			
No. / Nr.	Plan	Article / Artikel	Quantity / Aantal*
1	Y005478	1548354	1
2	M8x16	2990024	1
3	M6x16	1008459	2

*For B15A table (EP00190) double the quantity

UNIVERSAL B13 2013				Plan No.
				P000025 / H
Scale: 1:3	Drafted	Verified	Confirmed	
Date	20/03/2013	31/05/2021	31/05/2021	
Initials	SD	SD	PJ	

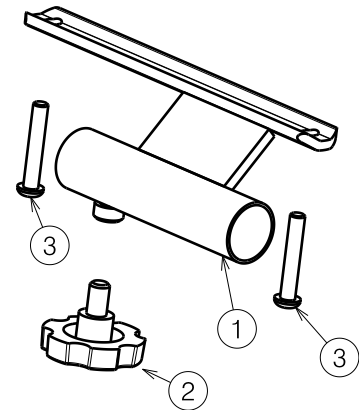
Model E - Serenys



Material / Materiaal - Model E Serenys			
No. / Nr.	Plan	Article / Artikel	Quantity / Aantal*
1	Y007792	1608254	1
2	X003344	1996908	2
3	M8x20	1001580	1
4	M6x60	1992915	2

*For B15A table (EP00190) double the quantity

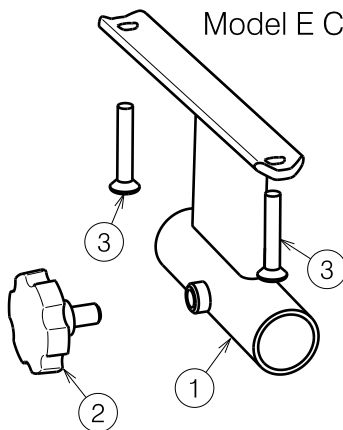
Model E - Alesia



Material / Materiaal - Model E Alesia			
No. / Nr.	Plan	Article / Artikel	Quantity / Aantal*
1	Y014119	1690374	1
2	M8x12	1999934	1
3	M6x35	1006057	2

*For B15A table (EP00190) double the quantity

Model E Comfort chair

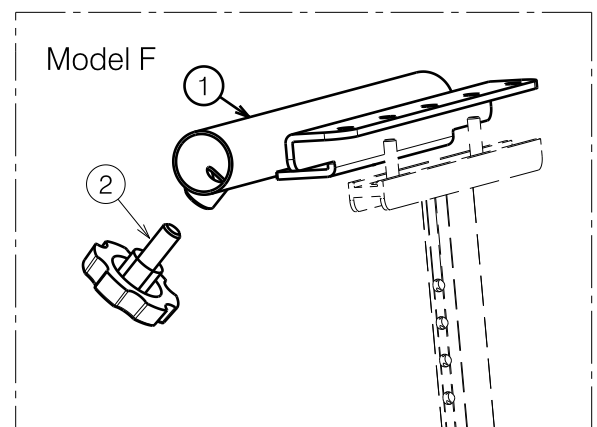


Material / Materiaal - Model E Comfort chair			
No. / Nr.	Plan	Article / Artikel	Quantity / Aantal*
1	Y012628 (L) Y012629 (R)	1671982 1672082	1 1
2	M8x12	1999931	2
3	M6x35 DIN966	1003903	2

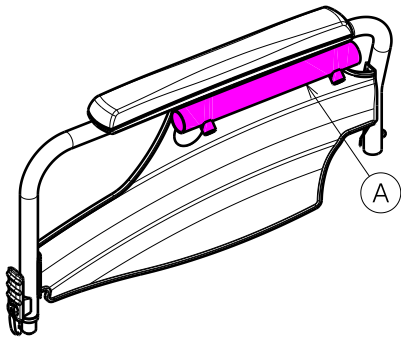
*For B15A table (EP00190) double the quantity

Material / Materiaal - Model F			
No. / Nr.	Plan	Article / Artikel	Quantity / Aantal*
1	Y021909	2019454	1
2	M8x16	2990024	1

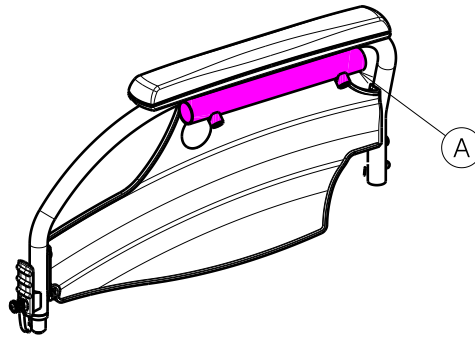
*For B15A table (EP00190) double the quantity



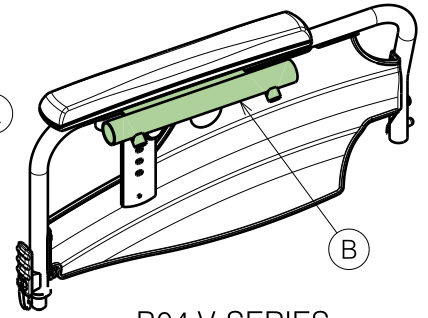
UNIVERSAL B13 2013				Plan No.
				P000025 / H
Scale: 1:3	Drafted	Verified	Confirmed	
Date	20/03/2013	31/05/2021	31/05/2021	
Initials	SD	SD	PJ	



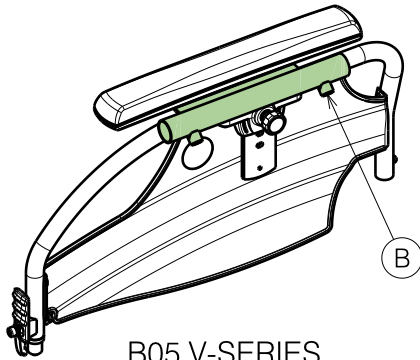
B02 V-SERIES



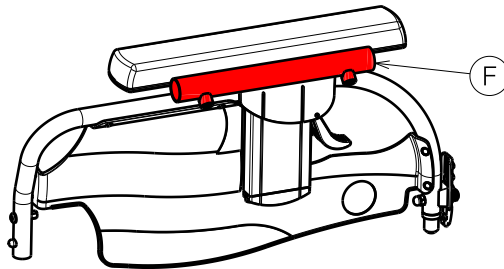
B03 V-SERIES



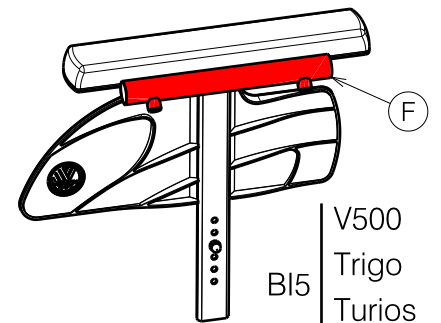
B04 V-SERIES



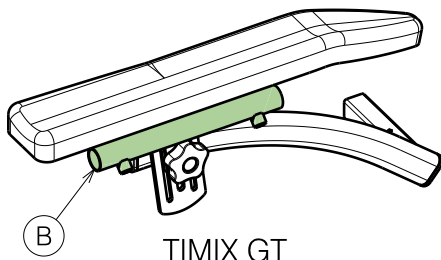
B05 V-SERIES



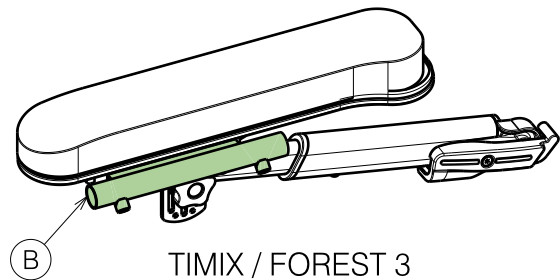
B04 V-SERIES 2016



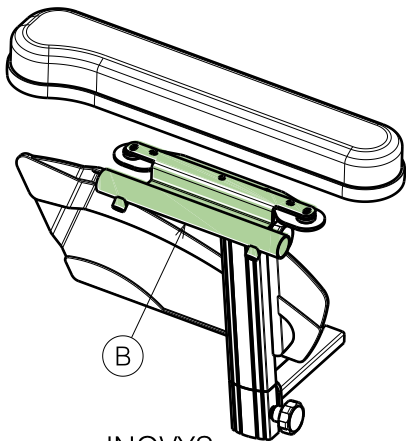
V500
Trigo
Turios
Lotus
B15



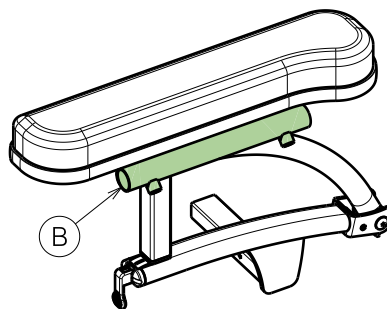
TIMIX GT



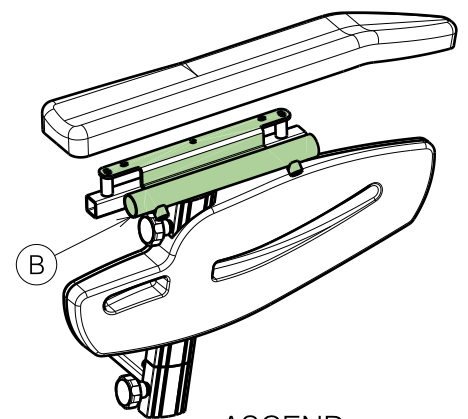
TIMIX / FOREST 3



INOVYS

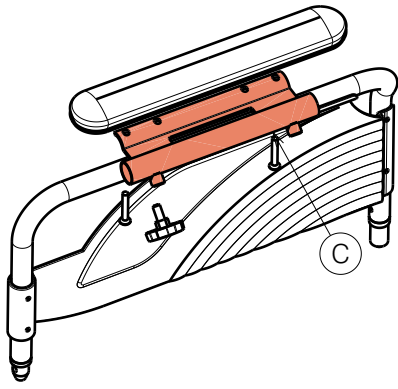


NAVIX

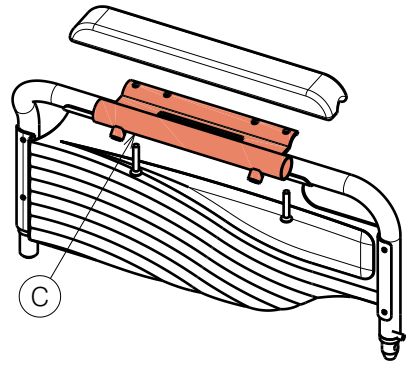


ASCEND

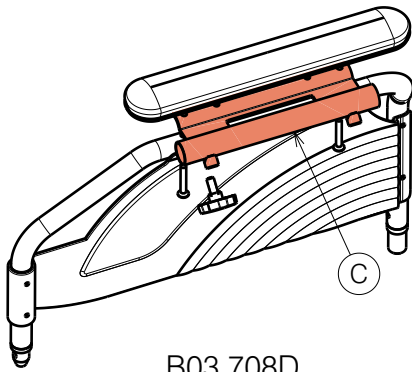
UNIVERSAL B13 2013				Plan No.
				P000025 / H
Scale: 1:8	Drafted	Verified	Confirmed	
Date	20/03/2013	31/05/2021	31/05/2021	
Initials	SD	SD	PJ	



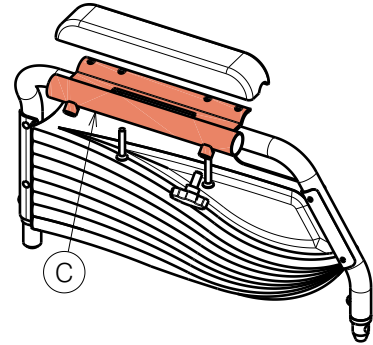
B02 708D



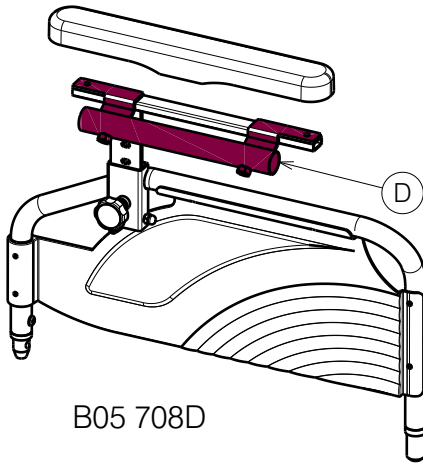
B02 ECLIPS / JAZZ



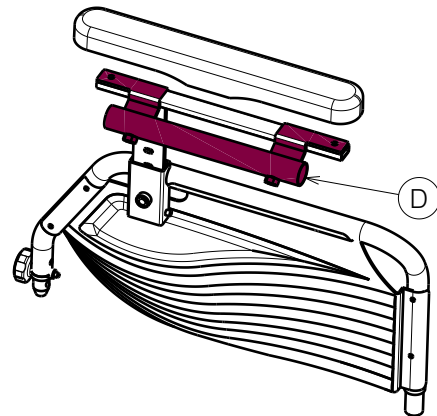
B03 708D



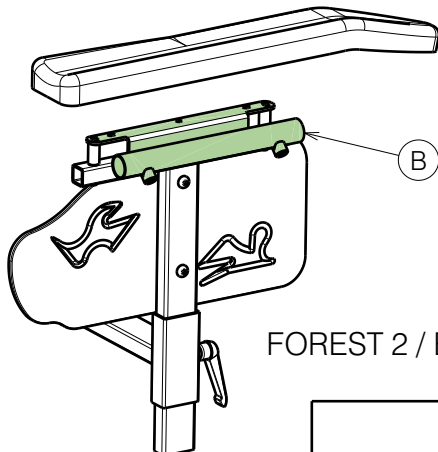
B03 ECLIPS / JAZZ



B05 708D



B05 ECLIPS / JAZZ



FOREST 2 / EXPRESS

UNIVERSAL B13 2013

Plan No.

P000025 / H

Scale: 1:8	Drafted	Verified	Confirmed
Date	12/03/2013	31/05/2021	31/05/2021
Initials	SD	SD	PJ

