


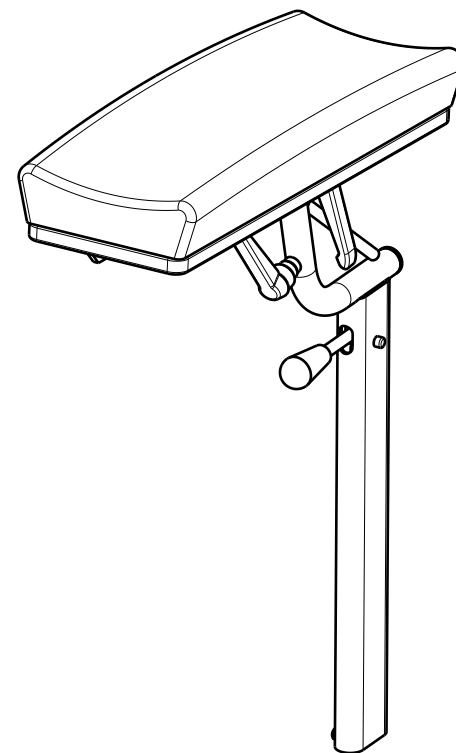
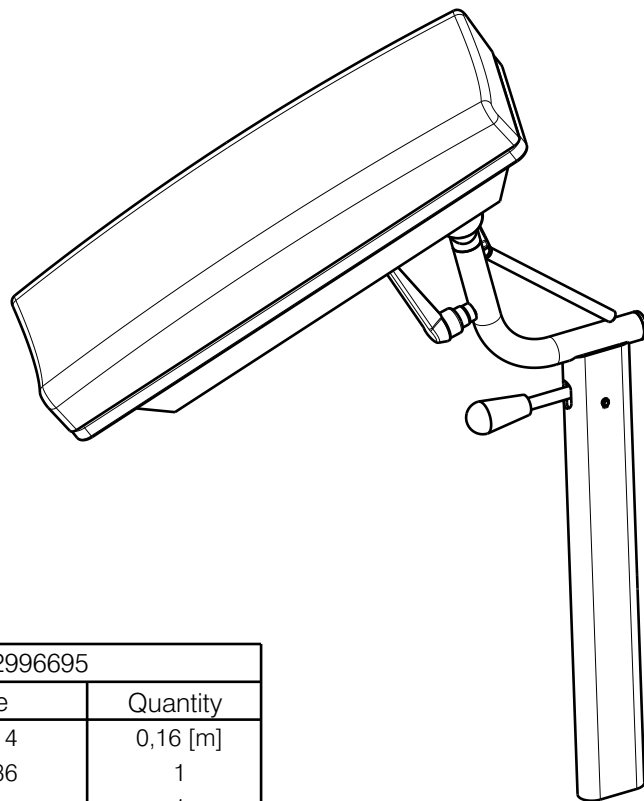
EP00542 / A

Right / Prawy

Left / Lewy

DONOR ARMREST FOR BRETANGE				Plan No.
				1/2 EP00542 / A
Scale: 1:6	Drafted	Verified	Confirmed	
Date	09/10/2020	09/10/2020	09/10/2020	
Initials	AZ	AZ	TK	

Material			
No.	Plan	Article	Quantity
1	Y011619	1643500	2
2	Y015605	1721865	1
3	Y015621	1721765	1
4	Y015658	1721501	2
5	X001471(Black)	1001143	2
6	X004559	1904586	2
7	XP00176	1824100	2
8	XP00180	1824500	2
9	XP00192	1826100	2
10	XP00297	2990125	2
11	XC00423	3991837	2
12	Cap D19	1001602	2
13	M4x12 DIN 7985H	1900952	2
14	M4 DIN 985	1001678	2
15	M6x16	1008459	4
16	Handle M8x15	1904866	4
17	Armrest Pad (Black)	2996695	2
	Armrest Pad (Brown)	2996696	2
	Armrest Pad (Beige)	2996697	2



Donor Armrest Pad Black: 2996695			
No.	Plan	Article	Quantity
17a	Fabric (Black skai)	1907414	0,16 [m]
17b	X004435 (Foam)	1904736	1
17c	X004548(Wood)	H7618	1
17d	M6x10 (Insert)	1992516	2

Donor Armrest Pad Brown: 2996696			
No.	Plan	Article	Quantity
17a	Fabric (Black skai)	1908048	0,16 [m]
17b	X004435 (Foam)	1904736	1
17c	X004548(Wood)	H7618	1
17d	M6x10 (Insert)	1992516	2

Donor Armrest Pad Beige: 2996697			
No.	Plan	Article	Quantity
17a	Fabric (Black skai)	1908049	0,16 [m]
17b	X004435 (Foam)	1904736	1
17c	X004548(Wood)	H7618	1
17d	M6x10 (Insert)	1992516	2

EP00542 / A

DONOR ARMREST FOR BRETANGE				Plan No.
				2/2 EP00542/ A
Scale: 1:6	Drafted	Verified	Confirmed	
Date	09/10/2020	09/10/2020	09/10/2020	
Initials	AZ	AZ	TK	