

VERMEIREN

Illico

INSTALLATION MANUAL



Contents

Contents	1
Preface	2
1 This product	3
2 Scope of delivery	4
3 Transport	5
3.1 Dimensions	5
3.2 Loading the transport trolley	6
3.3 Stacking beds for transport or storage	8
4 Assembly and disassembly	10
4.1 Tools	10
4.2 Control box connections	10
4.3 Assembly	11
4.4 Disassembly	15
4.5 Installing motor.....	18
4.6 Installing trapeze handle	19
4.7 Installing side rails.....	19
4.8 Installing the width extension kit.....	21
4.9 Installing the length extension kit	21

Preface

To support you on the installation and repairs of this nursing bed, we provide you with this installation manual. Please read it carefully. If you still have questions after reading this manual, do not hesitate to contact Vermeiren.

The information in this manual applies to the following bed(s):

- Illico

Important note

Pictures of the product are used to clarify the instructions. Details of the shown product may deviate from your product.

Information available

On our website <http://www.vermeiren.com/> you will always find the most recent version of following information. Please consult this website regularly for possible updates.

Visually impaired people can download the electronic version of this manual and have it read out by means of a text-to-speech software application.



- Instruction manual
For user and specialist dealer



- Installation manual (instructions for assembly and disassembly)
For specialist dealer



- Mounting instruction Knee-bend system
For specialist dealer



- Drawings of (spare) parts
For specialist dealer



- Service manual (beds)
For specialist dealer



- EC declaration of conformity

1 This product

i Read the complete user manual before operating the bed.

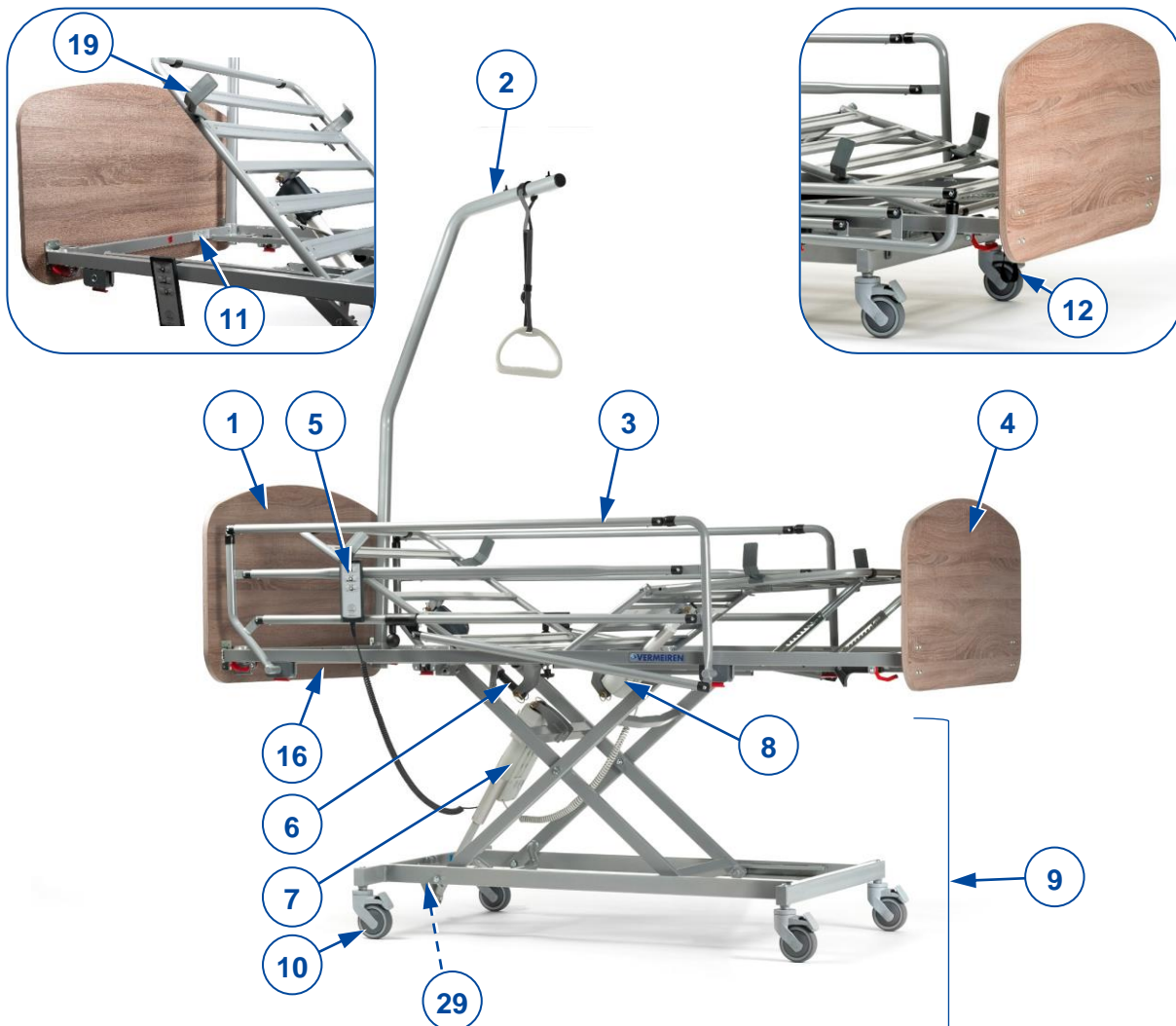


Figure 1 Important parts

- | | |
|----------------------------------|--|
| 1. Headboard | 11. Location of identification plate (on bed frame, at head end) |
| 2. Lifting pole / Trapeze handle | 12. Strap |
| 3. Side rail, foldable | 16. Mattress support, comprising |
| 4. Footboard | o lower leg section |
| 5. Handset | o upper leg section |
| 6. Motor of head section | o head section |
| 7. Motor of mattress support | 19. Mattress retainer |
| 8. Motor of knee bend (optional) | 29. Power cable support (for strain relief unit) |
| 9. Undercarriage | |
| 10. Caster wheel with brake | |



2 Scope of delivery

i Risk of unsafe settings

- The Illico bed has two configuration options: one with a complete metal mattress support, and one with a mattress frame with plastic supports.
- The motor to operate the knee bend is optional.

The following components are part of the delivery:

- Undercarriage driven by motor Linak LA40, with control box Linak CA40 and control-box opener
- Mattress support, with adjustable head section, upper leg and lower leg section (with rastomat)
- Head section driven by motor Linak LA27
- Headboard
- Footboard
- Foldable side rail (L&R)
- Handset with locking key; Linak HL7X045-01
- Transport trolley (Lower frame and upper connections L&R)
- Stacking connectors (4x)
- User manual
- Options and/or accessories

Before use, check if everything is included and that no products are damaged.

3 Transport


CAUTION

Risk of injuries or damage

Attach all bed parts and transport trolley firmly to the vehicle, to prevent them from moving during transport.

3.1 Dimensions


CAUTION

Risk of injuries or damage

For transport and storage, you should take the following dimensions into account.

i Other bed dimensions can be found in the instruction manual.

Table 1 Transport trolley and bed dimensions

Description	Dimension	Value
Transport trolley, loaded with bed	Specification	With one bed; without side rails, lifting pole, stacking connectors
	Total mass	95,9 kg
	L x W x H	1030 x 425 x 1400 mm
Two transport trolleys stacked on each other	Specification	With two beds, all 4 stacking connectors; without side rails, lifting poles
	Total mass	194,2 kg
	L x W x H	1030 x 425 x 2800 mm
Transport trolley	Specification	With upper connections
	Total mass	10,4 kg
	L x W x H Lower frame:	1020 x 420 x 275 mm
	L x W x H Upper connection left/right:	362 x 50 x 265 mm
Stacking connector (4x)	Specification	Each connector
	Mass	0,60 kg
	L x W x H	40 x 25 x 340 mm
Side rail	Specification	Left or right
	Mass	6,6 kg
	L x W x H	1450 x 100 x 470 mm
Lifting pole	Specification	With trapeze bar
	Mass	5,9 kg
	L x W x H	855 x 40 x 1440 mm
Undercarriage, with control box, power cable and handset	Mass	30,4 kg
Head section frame, with head support, motor	Mass	20,2 kg
Foot section frame, with leg support, motor	Mass	21,3 kg
Headboard	Mass	7,3 kg
Footboard	Mass	6,2 kg

3.2 Loading the transport trolley

- i**
- Follow the instructions below to correctly position all bed parts on the transport trolley.
 - Use the sticker number on the bed part to locate the position on the trolley. This number can be found in the instruction between two arrowheads "> <".
 - Collect loose components like cables, handset, trapeze handle...in a box.
 - Wooden and split side rails can not be collected on the transport trolley.

- (a) Lower frame with castor wheels
 (b) Upper left connection
 (c) Upper right connection
 (i) Stacking connectors

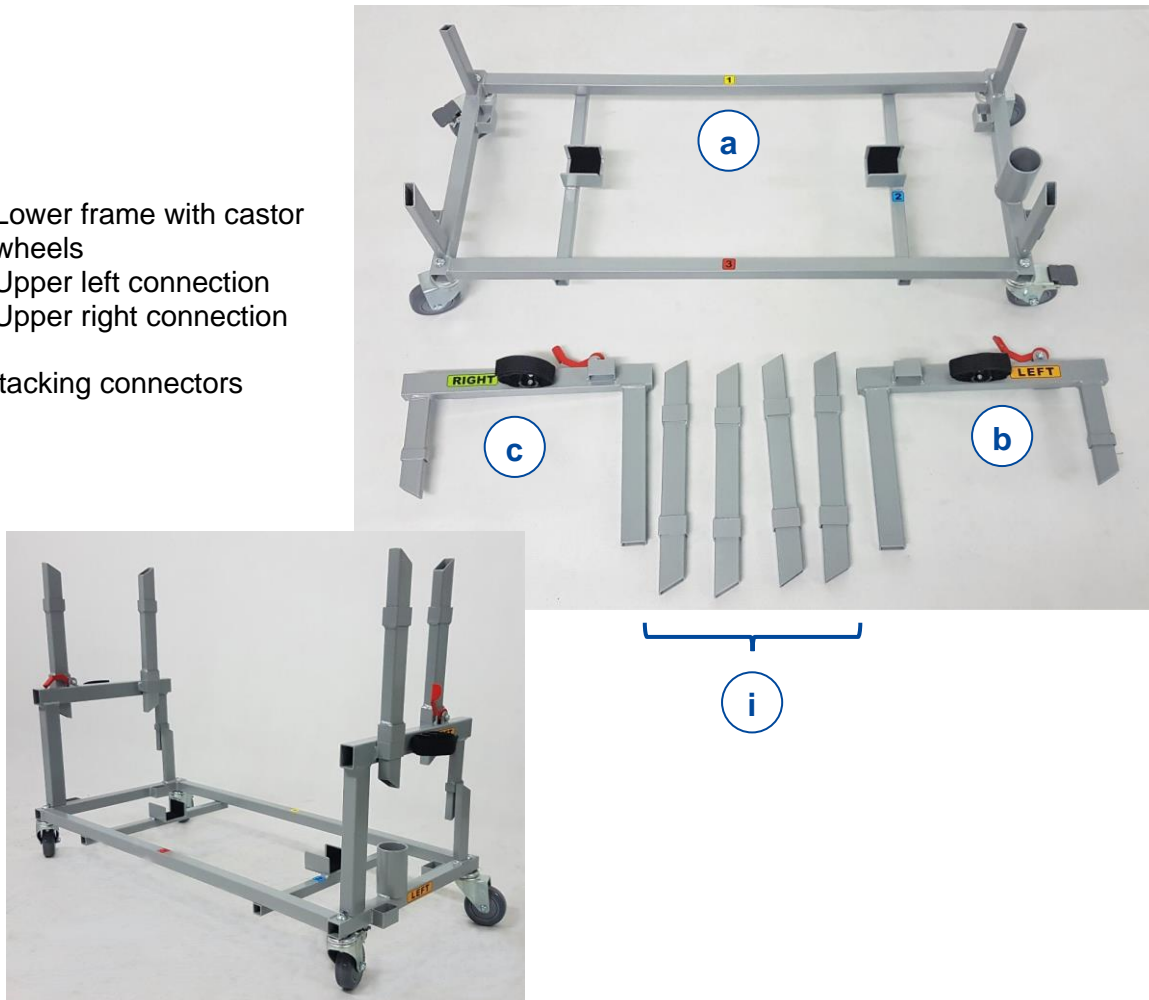


Figure 2 Transport trolley & Stacking connectors



[1]

Place the lower frame of transport trolley on level ground with brakes applied.



[2]

>Insert at No. 1<
Leg section, with strap at the bottom, motor inwards.



[3]

>Insert at No. 2<
Undercarriage with motor on bottom side.
Lower castor wheels turned inwards and locked.
Upper castor wheels straight and pointing outwards.



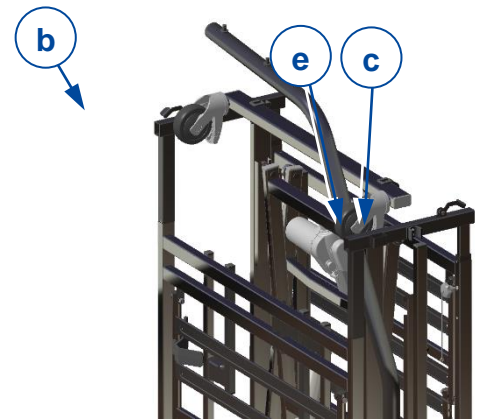
[4]

>Insert at No. 3<
Head section with head end at the bottom, motor inwards.



[5]

Lifting pole in between undercarriage and head section, in the pole socket of the trolley.



[6]

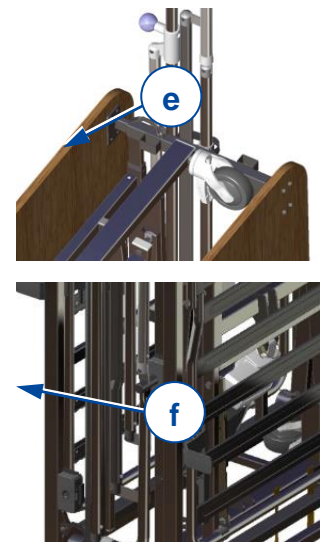
Trolley upper-left and upper-right connectors (b+c); on tube ends of head and leg section.
Make sure that both plastic mounts (e) point outwards.



[7]



[8]



[9]

Footboard in trolley upper part L&R. Lock the footboard with red lever (g).
 Headboard on trolley upper part L&R. Lock with red lever (h).

After folding, each metal side bar is mounted vertically:

- with its lower shaft in rotation point (f) of leg section;
- with top part in plastic mount (e) on upper connector.

Use the Velcro straps to connect:

- top part in plastic mount (e) on upper connector;
- the head section support to head section frame;
- the leg section support to leg section frame.



CAUTION

Risk of injuries or damage

Check if all parts are well secured.

3.3 Stacking beds for transport or storage



WARNING

Risk of severe injuries and damage

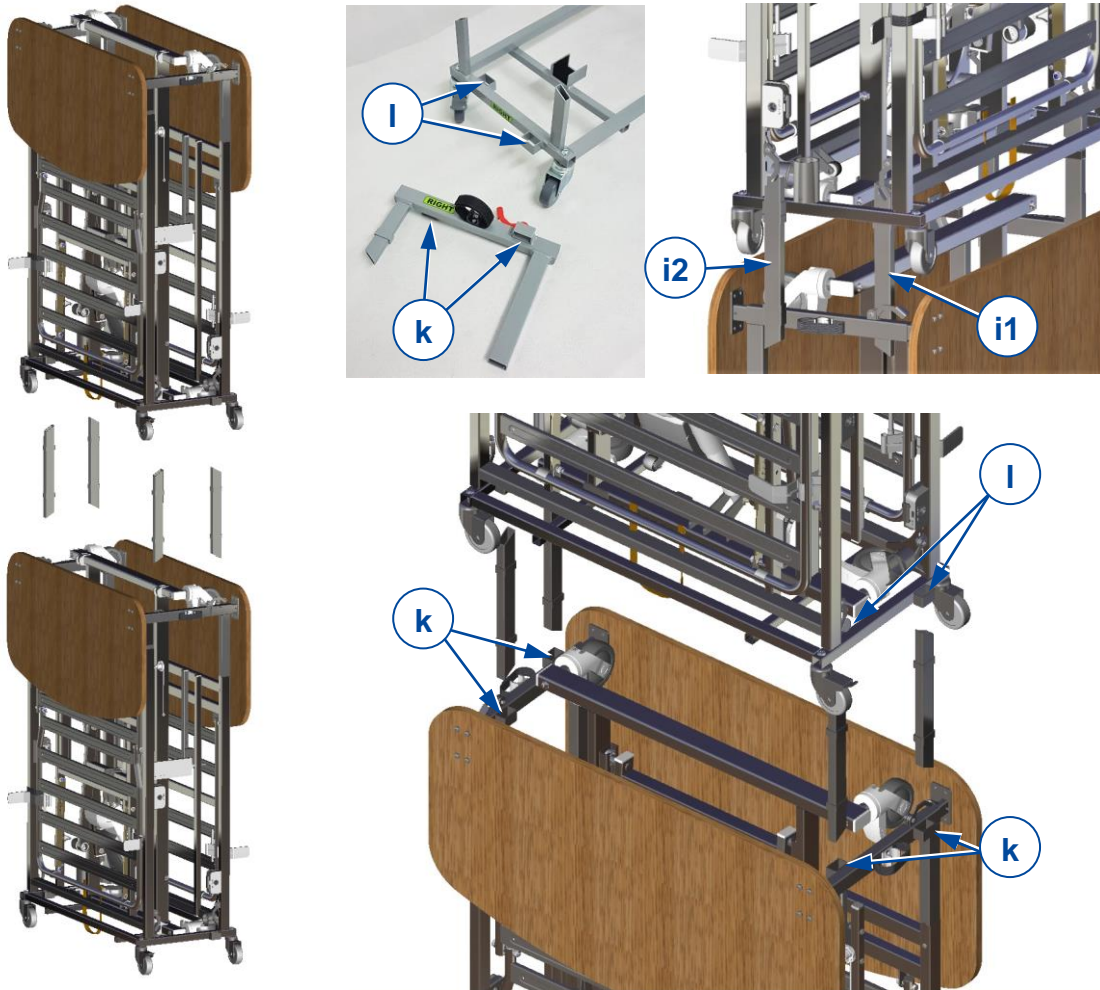
- Lifting of (stacked) beds may only be done by authorised and trained personnel and with suitable lifting equipment!
- Transportation of stacked beds is only allowed by trained and authorized personnel according to the instructions in this manual, the instructions of the vehicle and the local transportation regulations.
- Stacked beds should be moved on firm, flat and level surfaces, to minimize the risk of tipping over.
- Always use the stacking connectors (i) to keep two stacked transport trolleys in line.



CAUTION

Risk of injuries and damage

- Two beds can only be stacked without side rails and without lifting pole.



- Put a stacking connector (i) in the strike hole (k) at each of the upper connectors (4x):
 - on the inside of the frame tube (i1),
 - on the outside (i2).
- Place the trolley with the second bed on top of the first by means of lifting equipment. Make sure that the stacking connectors slide in the 4 strike holes (l) of the lower frame of the second trolley.
- Ensure that the beds are well connected.

CAUTION Risk of injuries or damage
 Make sure that all parts are well secured.

4 Assembly and disassembly



CAUTION

Risk of injuries or damage

- The bed needs to be (dis)assembled by a specialist dealer according to the instructions in this chapter.
- Only use parts described in this manual.
- Prevent bystanders from accessing the (dis)assembling area.
- Keep the (dis)assembling area clean and tidy, to prevent falling.
- Collect all small parts in a box or bag.
- While (dis)assembling and operating the bed, make sure no objects or body parts get caught between parts. In particular, pay attention to the position of the cables.

4.1 Tools

To (dis)assemble the bed, no special tools are needed, except a tool to open the control box, see picture. This control box opener is part of the delivery and is attached in a recess at the back of the control box.



Figure 3 Control-box opener

4.2 Control box connections

i Detail information on Linak control box CA40 can be found on website: www.linak.com

Connect all cables according to following list, Figure 4 and Figure 5:

- | | |
|-------------------------------------|------------------------|
| (a) Powersupply cable | > In external socket |
| (b) Motor of undercarriage | > In socket no. 1 |
| (c) Motor of head section | > In socket no. 2 |
| (d) Motor of leg section (optional) | > In socket no. 4 |
| (e) Handset | > In protruding socket |



Figure 4 Power supply cable connection

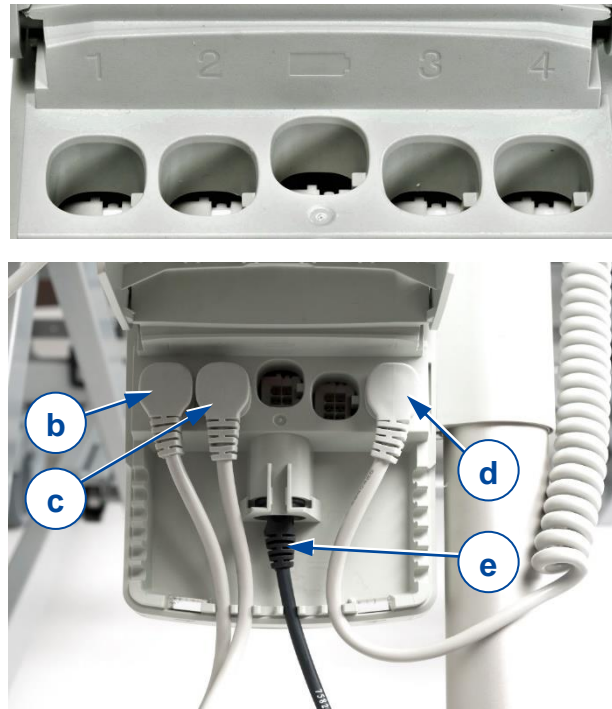
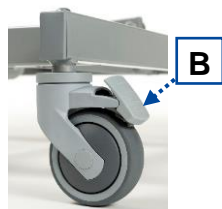


Figure 5 Motor and handset connections

- Make sure that each cable lies in a notch of the housing before closing the cover of the control box.
- Close the cover after connecting the cables.

4.3 Assembly



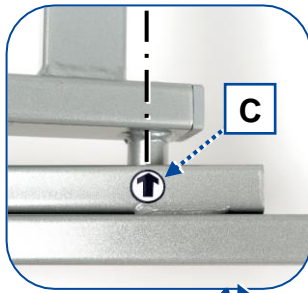
[1]

- Place the undercarriage with the four wheels on a flat and level floor.
- Apply the brake on the four castor wheels (position B).



[2]

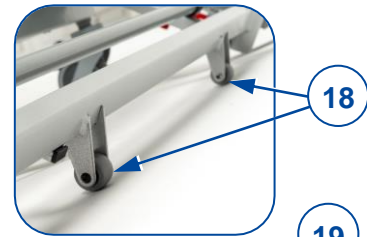
- Open the control box with the control-box opener (see §4.1), by pressing the two locking clips simultaneously.
- Connect the handset and power supply cable, if not connected yet, see §4.2.
- Unwind the power supply cable from the cable holder on the undercarriage frame.
- Plug the power supply cable in the 230V socket.



[3]

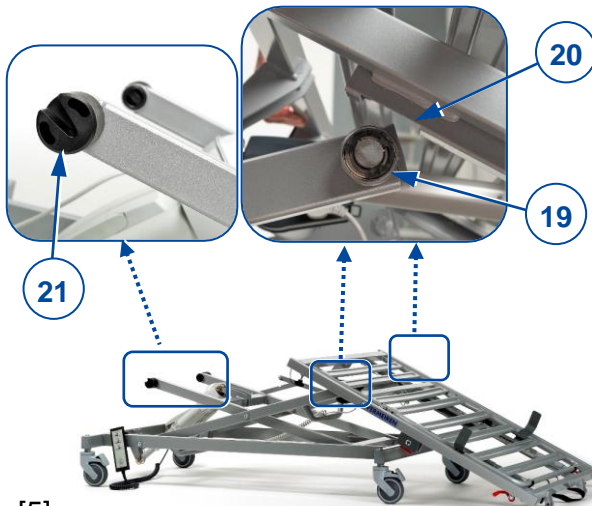
- Use the handset to raise the cross of the undercarriage to its assembly position C.

i At position C, the roller shaft of the cross is in line with the marking on the base frame.



[4]

- Make sure that the cable of the handset is on the side of the undercarriage.
- Take the leg section (with strap) from the transport trolley, place it on the roller wheels (18) and roll it to the undercarriage, on the side with rollers (19), see next picture.

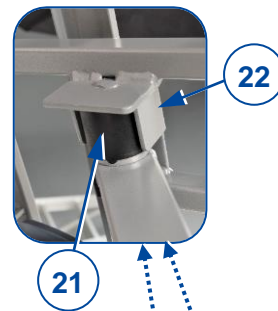


[5]

- While resting on the roller wheels, lay the leg section with the frame cut-out (20) over the rollers (19) of the undercarriage.

i If the rollers (19) do not fall in the frame cut-outs (20) of the leg section, adjust the height of the cross according to step 3 and try again.

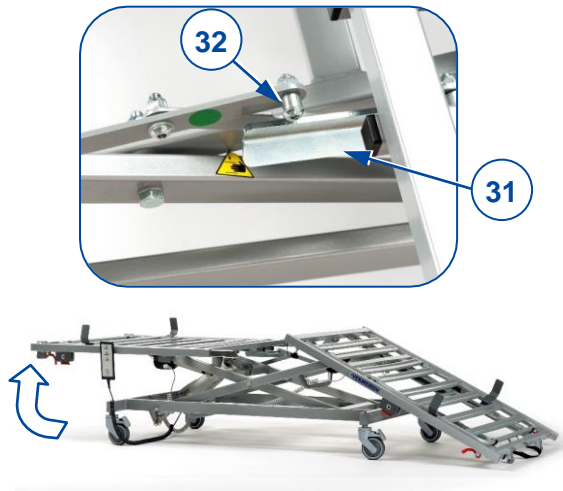
- If applicable, connect the motor of the leg section to the control box, see §4.2.



[6]

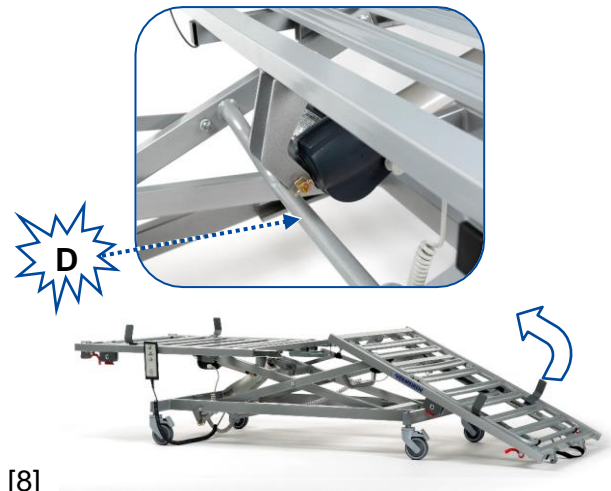
- Take the head section and roll it to the undercarriage, on the side of the control box.
- While resting on the roller wheels, lay the head section on supports (21) of the undercarriage, see previous picture.

i If the rotation pins of connection (22) do not fit in the supports (21), adjust the height of the cross according to step 3 and try again.



[7]

- Lift the head section end and place it horizontally. Safety guide (31) will get caught by locking pin (32) of the undercarriage preventing the head section from lowering again.
- Connect the motor of the head section, see §4.2.



[8]

- Lift the leg section end a bit and move it towards the head section.

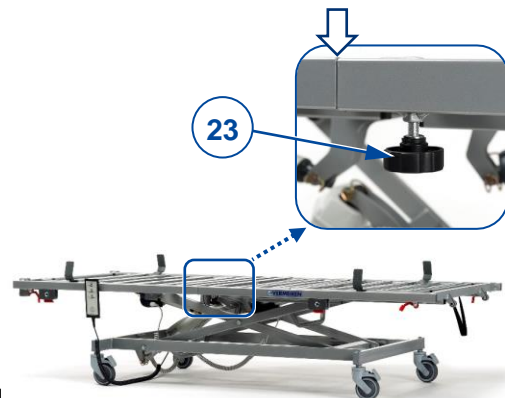
CAUTION Risk of damage

If the leg section has a motor, make sure that it does not hit the bend frame tube of the undercarriage at point D. For this reason, keep the leg rest end in low position until the motor has passed the bend frame tube.



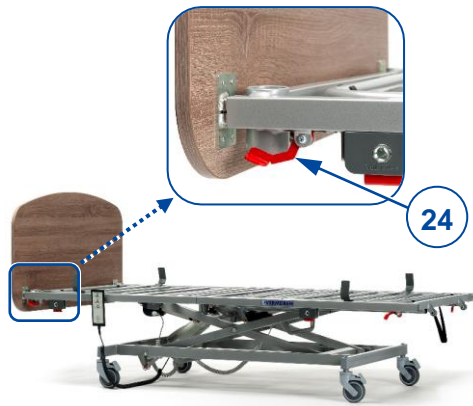
[9]

- Slide the leg section frame tubes over the protruding inner tubes of the head section.



[10]

- Slide the leg section further until the outer frame tubes touch.
- Turn star knob (23) in the hole of the tube and tighten it. Repeat this on the other side of the bed.



[11]

- Slide the two headboard tubes in the open tube ends of the head section.
- When the headboard is in place, it can easily be locked by pressing both red levers (24) up. If this is not possible, slide the headboard backwards/forwards until the lever falls in the locking hole.
- Repeat this step for the footboard.



[12]

- Place the lifting pole in one of the two pole sockets at the head-end side.



[13]

- Mount the metal, wooden or split side rails according to the instructions in §4.7.



[14]

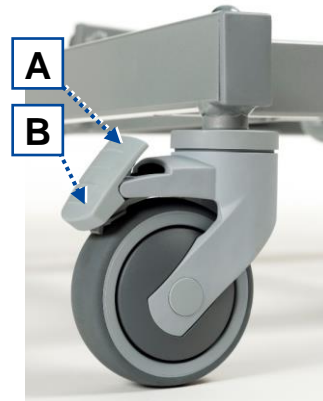
- Finally, make sure that all assembled parts are locked in place.

CAUTION

Risk of damage

Before operating the handset, make sure that cables won't get crushed by moving parts.

- Check the operation of the bed by using the handset, see instruction manual of the bed.

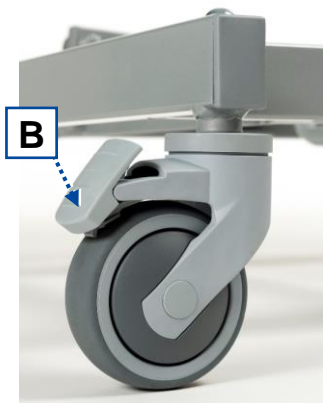


[15]

- Release the brakes of the castor wheels (position A).
- Move the bed in place according to the description in the instruction manual.
- Apply the brakes (position B).

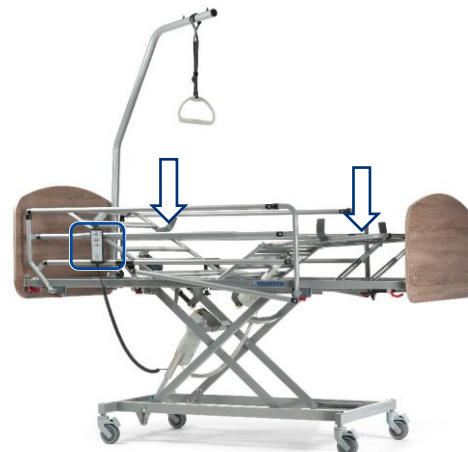
The bed is now ready for use.

4.4 Disassembly



[1]

- Apply the brakes on the castor wheels (position B).



[2]

CAUTION

Risk of damage

Before operating the handset, make sure that cables won't get crushed by moving parts.

- Use the handset to lower the head and leg section until they are flat.



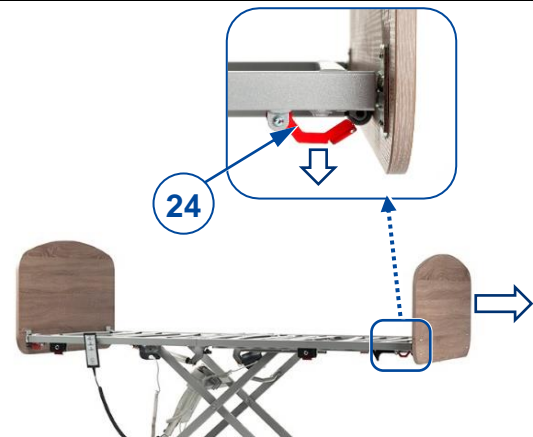
[3]

- Remove the metal, wooden or split side rails according to the instructions in §4.7.



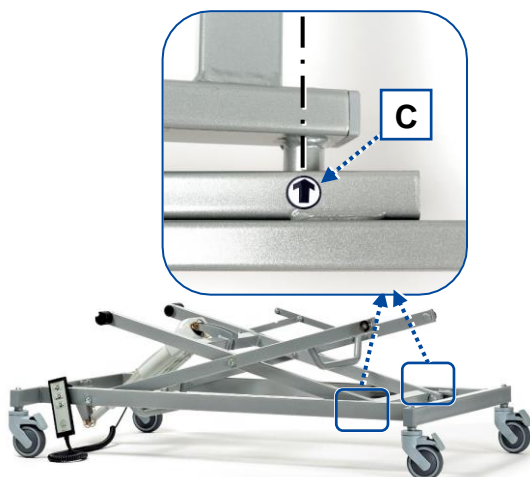
[4]

- Remove the lifting pole by lifting it from its support.



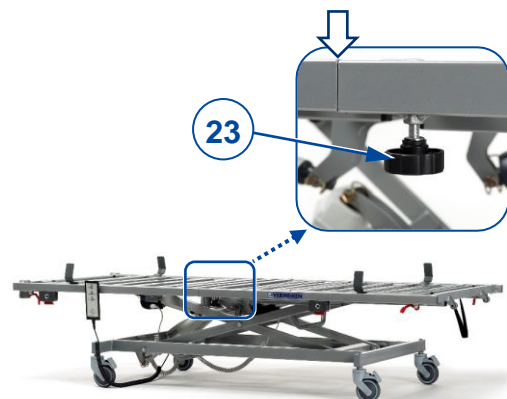
[5]

- Unlock the footboard on left and right side by pulling the red levers (24) down.
- Pull the footboard back to remove it from the frame of the mattress support.
- Repeat this for the headboard.



[6]

- Use the handset to raise the cross of the undercarriage to its assembly position C.



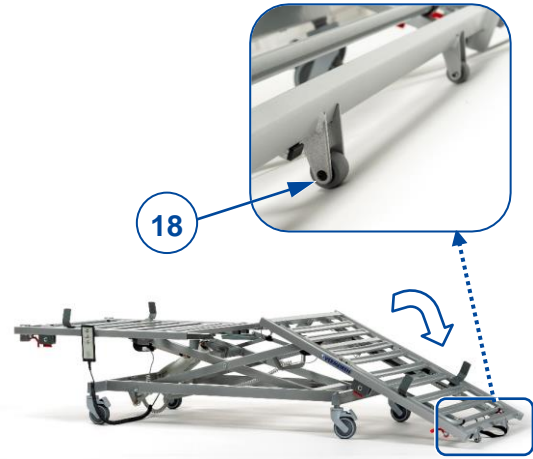
[7]

- Loosen star knob (23) and remove it from the frame tube.
- Repeat this on the other side of the mattress support.



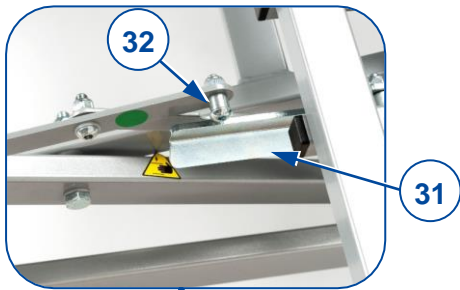
[8]

- Pull the leg section back until it is free from the head section.



[9]

- Lower the leg section end and place it on the roller wheels (18).



[10]

CAUTION Risk of entrapment
 Prevent fingers getting entrapped by the frame-cross locking system.

- Push and hold the head section a bit down at the front, with one hand. Push with your other hand the support with locking pin (32) aside to let the guide (31) pass the pin. The location to push is marked with a green dot.
- Release the locking pin when the guide has passed.
- Lower the head-section end and place it on its roller wheels.



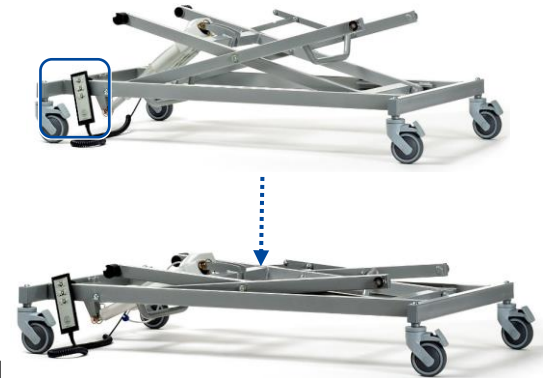
[11]

- Open the control box with the control-box opener (see §4.1), by pressing the two locking clips simultaneously.
- Unplug the motor cables of head and leg section, see §4.2.



[12]

- Lift and turn the head section on the roller wheels.
- Remove the head section with motor and cable.
- Repeat this for the leg section.



[13]

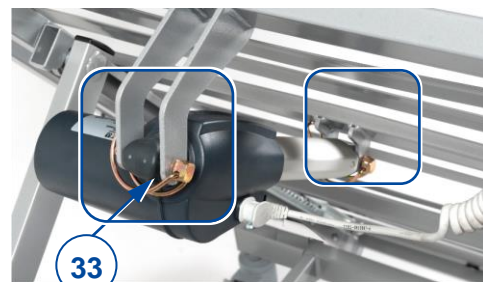
- Use the handset to fold the undercarriage completely.
- Unplug handset cable, see §4.2.
- Close the control box.
- Wind the power-supply cable on the cable holder of the undercarriage.
- Store all components on the transport trolley, see chapter 3.

4.5 Installing motor



[1]

- Disassemble the bed according to the instructions in §4.4, up to step [12], to create some space to work.
- Use the handset to raise the frame cross.



[2]

- Install the motor of the leg section according to the mounting instructions included in the box of the actuator.
- Assemble the bed according to the instructions in §4.3.

4.6 Installing trapeze handle



- 2. Lifting pole
- 34. Lifting strap
- 35. Belt
- 36. Buckle
- 37. Anti-slip holder (elastic)

- Place lifting strap (34) with anti-slip holder (37) on lifting pole (2).
- Adjust the length of belt (35) by sliding the belt through the buckle (36).
- Put the remaining belt end through the belt loop.

Make sure that the belt is well tightened.

4.7 Installing side rails

4.7.1 Metal side rails

Assembly

1. Take the left or right side-rail and hold it next to the frame of the mattress support. Make sure that the canted corner is located on the headboard-side.
2. Press and hold red lever (26), while inserting the shaft of the side rail in block (39) (rotation point).
3. When both shafts are inserted, check the locking of the side rail by pushing and pulling the side rail.
4. Repeat this for the second side rail.

Disassembly

1. Press one of the red levers (26) to release the lock of side rail and pull the side rail a bit backward.
2. Repeat this at both red levers until the side rail is released.
3. Repeat this for the second side rail.



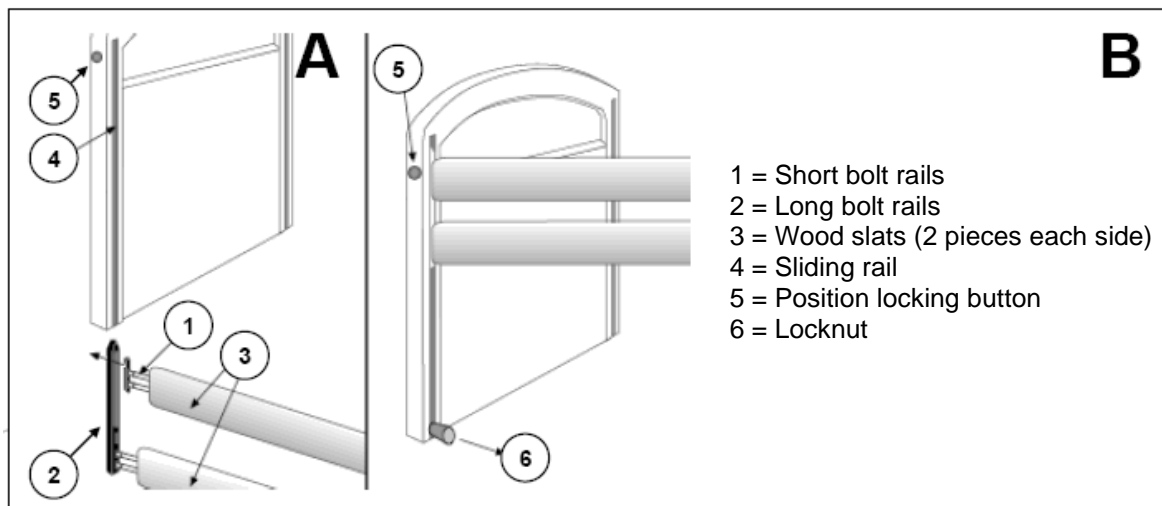
4.7.2 Wooden side rails

Assembly

1. Insert the short bolt rails (1) on the right and left in the upper wooden slat.
2. Insert the long bolt rails (2) on the right and left in the lower wooden slat.
3. Insert the long bolt rails (2) with the wooden slat in the sliding rail (4) of the head and feet panel and secure them by inserting the long bolt rails until the upper end clicks into place.
4. On one side, release the rail again by pressing the position locking button (5) and pulling the upper wooden slat gently upwards.
5. Let the bolt rails (2) fall from the sliding rail until the tip of the rail is just barely in the guide. The short bolt rail (1) with wooden slat can now be inserted between the walls of the long bolt

rails. The entire bolt rail system (1) + (2) can be placed in the relevant sliding rail (4) by pulling upwards while grasping only the upper wooden slat and then locking the structure into position.

6. Insert the locknuts (6) and tighten them manually.
7. Repeat for the other side rails.



Disassembly

1. Loosen and remove the locknuts (6).
2. Release the side rails by pressing the position locking button (5) and gently let them slide out of the sliding rails (4).

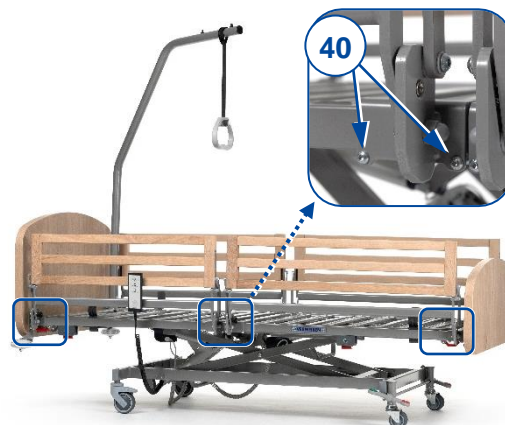
4.7.3 Split side rails

Assembly

1. Take one of the split side rails.

i Mind the difference between head-end or foot-end rails (head-end rails are shorter than foot-end rails).

2. Place the split side rail attachments over the mattress frame support.
3. Firmly tighten the two screws on the bottom of each attachment (40).
4. Repeat for all other split side rails.
5. Make sure that all side rails are firmly attached into place.



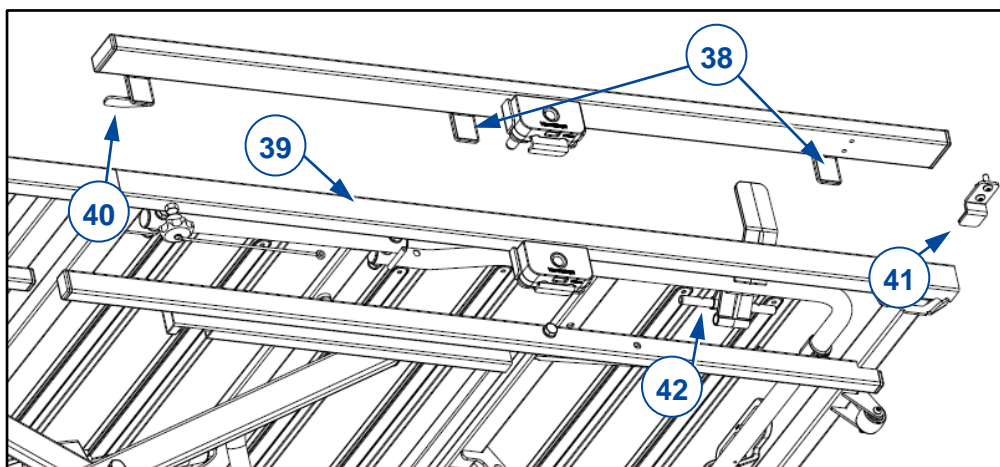
Disassembly

1. Loosen and remove the screws (40) on the bottom of each split side rail attachment.
2. Carefully take off the split side rails from the bed frame.

4.8 Installing the width extension kit

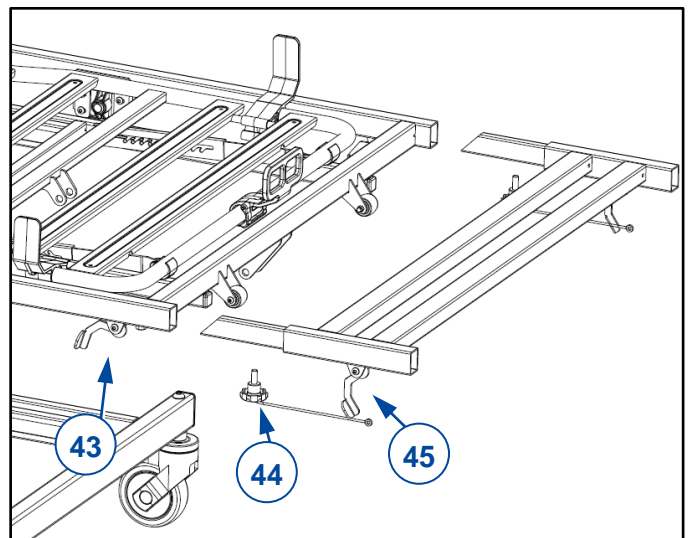
- i**
- The width extension kit is not compatible with the split side rails.
 - Make sure not to switch the headside and footside bars (head-end bars are shorter than foot-end bars).

1. Attach the width extension bars to the bed frame by placing the U-shaped brackets (38) over the mattress support bar (39). The horizontal bracket (40) should be placed under the bedframe tubes of the seat section.
2. To fix the bars into place, mount the separate brackets (41) below the bedframe bar and width extension bar, near the headboard/footboard, and tighten the screws.
3. Replace the standard mattress retainers with elongated mattress retainers (release/mount by removing/inserting the rod (42) under the slats of the slatted frame).
4. Replace the standard mattress with a wider one.



4.9 Installing the length extension kit

1. Unlock the footboard by the red levers and remove the footboard (see §4.4).
2. Insert the length extension frame and lock into place with the red levers of the bed frame (43).
3. Turn star knob (44) in the hole of the tube and tighten it.
4. Insert the footboard into the length extension frame and lock into place with the red levers of the extension frame (45).
5. Replace the standard mattress with a longer one.





Vermeiren GROUP
Vermeirenplein 1 / 15
2920 Kalmthout
BE

website: www.vermeiren.com

Instructions for specialist dealer

This instruction manual is part and parcel of the product and must accompany every product sold.

Version: D, 2021-02

Basic UDI: 5415174 181210Illico RN

All rights reserved, including translation.

No part of this manual may be reproduced in any form what so ever (print, photocopy, microfilm or any other process) without written permission of the publisher, or processed, duplicated or distributed by using electronic systems.

© Vermeiren Group 2021