

Installation manual

MANUEL D'INSTALLATION
INSTALLATIEHANDLEIDING
INSTALLATIONSANLEITUNG
MANUALE DI INSTALLAZIONE
MANUAL DE INSTALACIÓN
INSTRUKCJA INSTALACJI
PŘÍRUČKU PRO INSTALACI

Verso





Contents

Contents	1
Preface	2
1 Scope of delivery	3
2 Tools	3
3 Adjustments	4
3.1 Seat depth	5
3.2 Footrest length	6
3.2.1 Adjustment in steps	6
3.3 Arm pad depth	6
3.4 Armrest height.....	7

Preface

To support you on the installation and repairs of this wheelchair, this manual is offered. Please read it carefully. If you still have questions after reading this manual, do not hesitate to contact Vermeiren.

The information in this manual applies to the following wheelchair(s):

- Verso

Pictures of the product are used to clarify the instructions. Details of the shown product may deviate from your product.

On our website <http://www.vermeiren.com/> you will always find the most recent version of the following information. Please consult this website regularly for possible updates.

Visually impaired people can download the electronic version of this manual and have it read out by means of a text-to-speech software application.



Instruction manual
For user and specialist dealer



Installation instructions (Instructions for detail adjustments)
For specialist dealer



Torque table (maximum torques for bolts and nuts)
For specialist dealer



Service manual for wheelchairs
For specialist dealer



Drawings of (spare) parts
For specialist dealer

1 Scope of delivery

The following items are part of the delivery.

- Seat frame
- Drive train including controller and battery
- Armrests
- Footrests
- Battery charger
- Tools
- Manual
- Options

Please note that the basic configuration may differ in different European countries. Contact your specialist dealer.

2 Tools

To repair and adjust the wheelchair, the following tools are needed:

- Wrench set no. 10
- Allen keyset no. 3 to no. 5

3 Adjustments

**CAUTION**

Risk of injuries or damage

- Read the instruction manual of the specific wheelchair.
- Be aware of the technical details and limits of intended use; see the instruction manual.
- The wheelchair needs to be adjusted by a specialist dealer according to the instructions in this manual.
- Any modification to the product will lapse the warranty and will cease the responsibility of Vermeiren.
- Only use parts and tools described in this manual.
- Prevent bystanders from accessing the working area.
- While adjusting and operating the wheelchair, make sure no objects or body parts get caught between moving parts.
- Only use the settings described in this manual.
- Make sure that the adjustment on left and right side of the wheelchair are the same.
- Deviation of the adjustment settings may influence the stability of the wheelchair with risk of tilting and falling.
- **Make sure all screws are firmly secured before riding the wheelchair. Adhere to the tightening torques for screws according to the Torque table on our website.**

**Important remark**

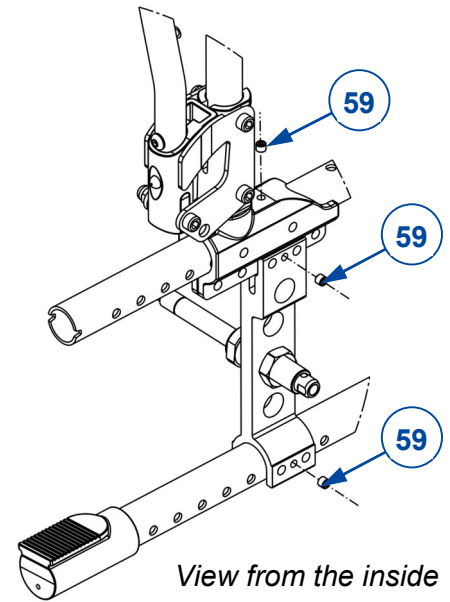
- For more information, contact Vermeiren. See the website <http://www.vermeiren.com/>.

3.1 Seat depth

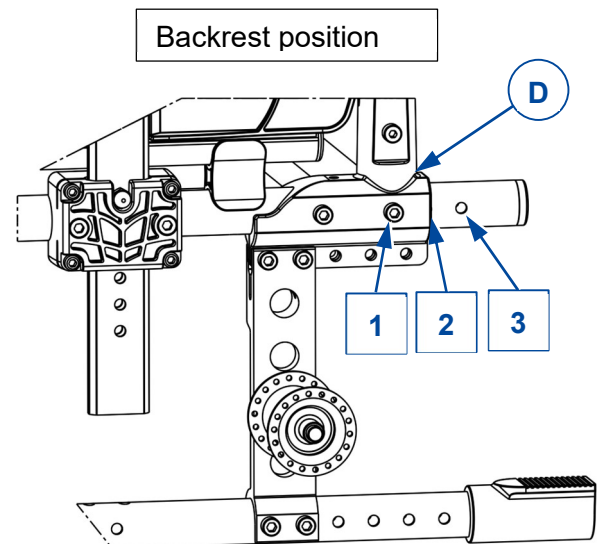
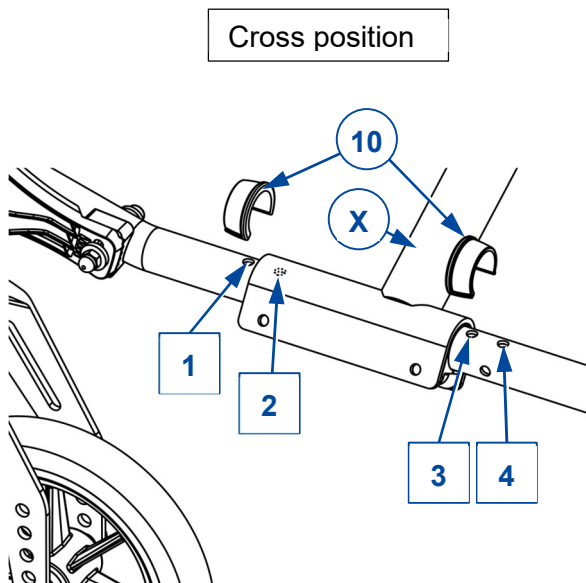
i Important remark

When adjusting the backrest connection, make sure that all 3 connection screws (item 59, in example) are tightened firmly.

To prevent that theft-protection systems in shops react on the wheelchair frame, the connection screws (59) must be turned **through** the frame coating!



Seat depth	Cross position holes	Backrest position holes
440 mm	Hole 1 and 3	Position 1
420 mm (Default)	Hole 2 and 4	Position 1
480 mm	Hole 2 and 4	Position 3
460 mm	Hole 1 and 3	Position 2



Cross position (if adjustable)

1. Remove clip (10), at each side of the wheelchair.
2. Move the cross (X) forwards/backwards to the desired position according to the settings in the tables of previous sections.
3. Replace both clips (10) at each side of the wheelchair to lock the cross position.

Backrest connection position

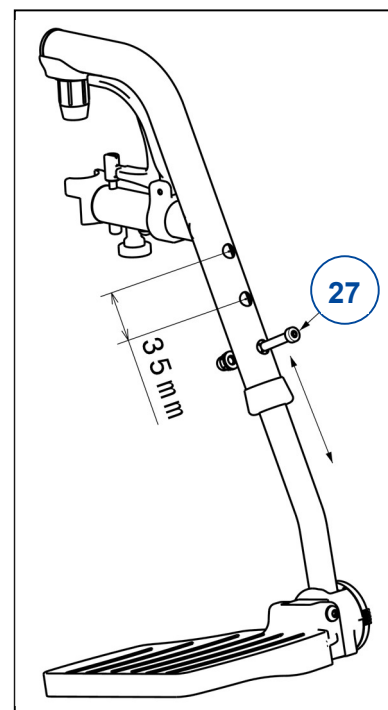
1. Demount both socket screws of the backrest connection, at both sides of the wheelchair.
2. Move the backrest connection (D) forwards/backwards to the desired position according to the settings in the tables of previous sections.
3. Mount the 2 socket screws firmly; at both sides of the wheelchair.
4. Verify if seat height and seat angle are correctly set.

3.2 Footrest length

3.2.1 Adjustment in steps

Adjust the length as follows (3 holes on inside tube, 3 holes on outside tube ; 120mm range):

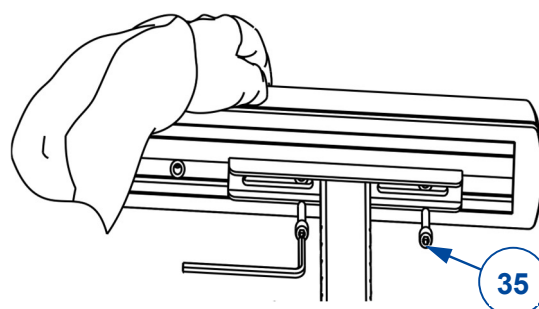
1. Remove the screw (27).
2. Adjust the footrest to a comfortable length.
3. Retighten the screw firmly.
4. Repeat this for the second footrest. Make sure the footrests are positioned identically.



3.3 Arm pad depth

Adjust the depth of the arm pad as follow (range 120 mm: step less):

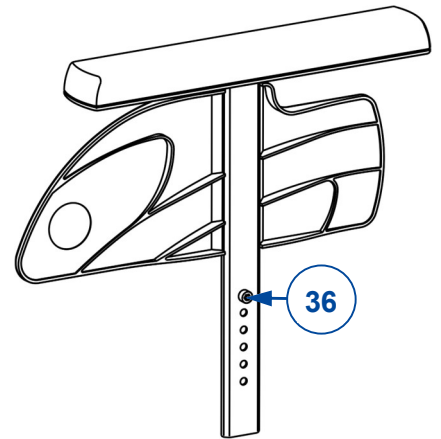
1. Loosen both socket screws (35) at the bottom of the arm pad.
2. Move the arm pad to the front or rear within the range of the slotted holes (42,5 mm).
If this not enough, remove the socket screws and attach the arm pad using the other holes (3 positions available).
3. Tighten both socket screws firmly.
4. Repeat this for the second arm pad. Make sure both arm pads are positioned identically.



3.4 Armrest height

The height of the armrest is adjustable in 6 positions as follows:

1. Pull the armrest out of the armrest holder.
2. Remove the socket screw (36) that sets the height.
3. Mount the screw in the desired hole.
4. Insert the armrest in the armrest holder.
5. Check the height; readjust if necessary.
6. Repeat this for the second armrest. Make sure both armrests are positioned identically.





Vermeiren GROUP
Vermeirenplein 1 / 15
2920 Kalmthout
BE

website: www.vermeiren.com

Instructions for specialist dealer

This instruction manual is part and parcel of the product and must accompany every product sold.

Version: A, 2023-06

Basic UDI: 5415174VersoG7

All rights reserved, including translation.