

Installation manual

MANUEL D'INSTALLATION
INSTALLATIEHANDLEIDING
INSTALLATIONSANLEITUNG
MANUALE DI INSTALLAZIONE
MANUAL DE INSTALACIÓN
INSTRUKCJA INSTALACJI
PŘÍRUČKU PRO INSTALACI

Club





Content

Content	1
Preface	2
1 This product	3
2 Scope of delivery	4
3 Assembly	5
3.1 Tools	5
3.2 Assembling the bed	6
3.3 Strain relief and power cable	10
3.4 Cable placement.....	11
3.5 Transport.....	11
3.6 Lifting pole (optional).....	15
3.7 Emergency lowering of the headrest	15

Preface

To support you on the installation and repairs of this nursing bed, we provide you with this installation manual. Please read it carefully. If you still have questions after reading this manual, do not hesitate to contact Vermeiren.

The information in this manual applies to the following bed(s):

- Club

Important note

Pictures of the product are used to clarify the instructions. Details of the shown product may deviate from your product.

Available information

On our website <http://www.vermeiren.com/> you will always find the most recent version of the information in this manual. Please consult this website regularly for possible updates.

Visually impaired people can download the electronic version of this manual and have it read out by means of a text-to-speech software application.



User manual
For user and specialist dealer



Installation manual
For specialist dealer



Service manual for beds
For specialist dealer



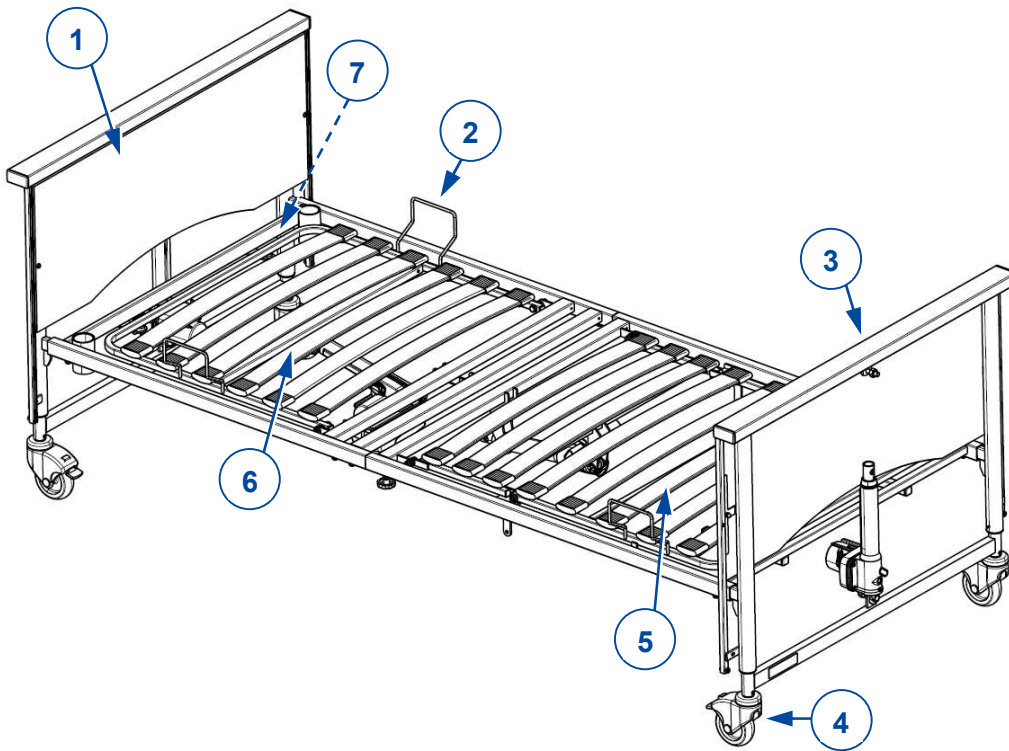
Drawings of (spare) parts
For specialist dealer



EC declaration of conformity

1 This product

1. Head panel
2. Mattress retainer
3. Foot panel
4. Castor
5. Foot end
6. Head end
7. Identification plate






2 Scope of delivery

The following components are part of the delivery:

- Head and feet end incl. motors
- Slatted frame, foot-end incl. motor
- Slatted frame, head-end incl. transformer and motor
- Handset
- Instruction manual
- Optional accessories

Before use, check if everything is included and that no products are damaged.

3 Assembly

 CAUTION Risk of injury

- Only use the settings described in this manual.
- Prevent trapping your hands when assembling, disassembling or using the bed.
- Make sure that no body parts or objects are present when adjusting hinges, joints or other clamps.
- Only use genuine spare or replacement parts approved by Vermeiren.

i Important remarks

- Read the user manual of this bed.
- Be aware of the technical details and limits of intended use; see the user manual.
- For more information, contact Vermeiren.

3.1 Tools

To set up the bed the following tools are needed:

- Wrench set no. 6
- Allen keyset no. 4, 5

3.2 Assembling the bed



CAUTION

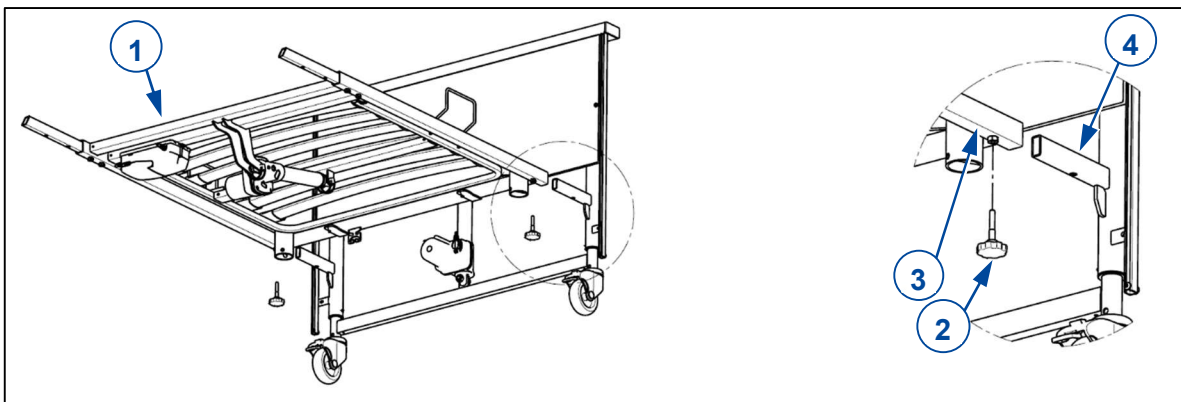
Risk of injuries

- Keep your fingers and the electric cables away from moving parts, and make sure that they do not become trapped between components during assembly.
- No third persons or any objects may come in the assembly area.

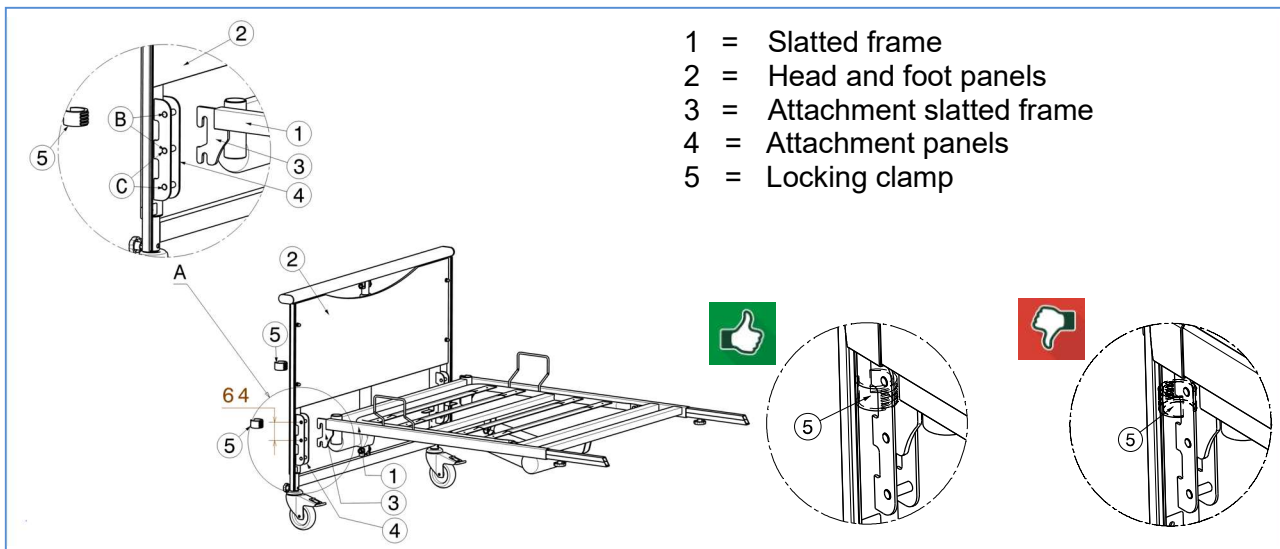
Follow the order of assembly as explained below.

3.2.1 Head panel / feet panel Club

1. Slide the attachment tube of the head panel (4) into the tube of the slatted frame (3).
2. Secure the slatted frame (1) with the star knobs (2).
3. Repeat for the foot panel. Make sure that the slatted frames are mounted securely.



3.2.2 Head panel / feet panel Club Vario

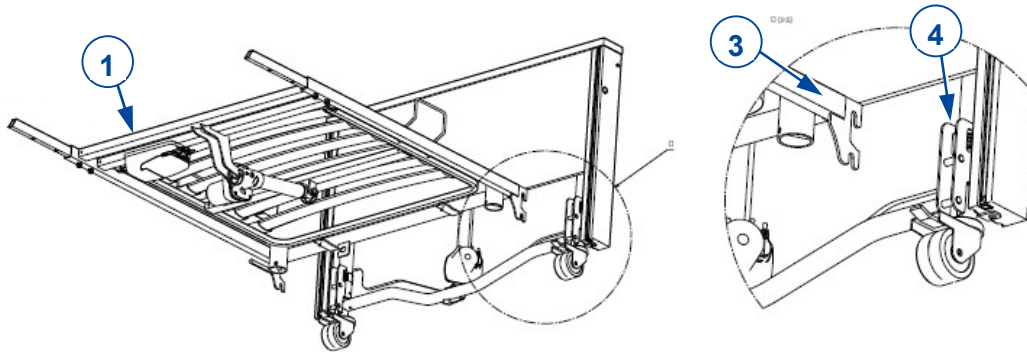


1. Mount the attachment of the slatted frame (3) on the attachment of the head panel (4).
2. Secure the slatted frame (1) with the locking clamps (5).
3. Repeat for the feet panel. Make sure that the slatted frames are mounted securely.

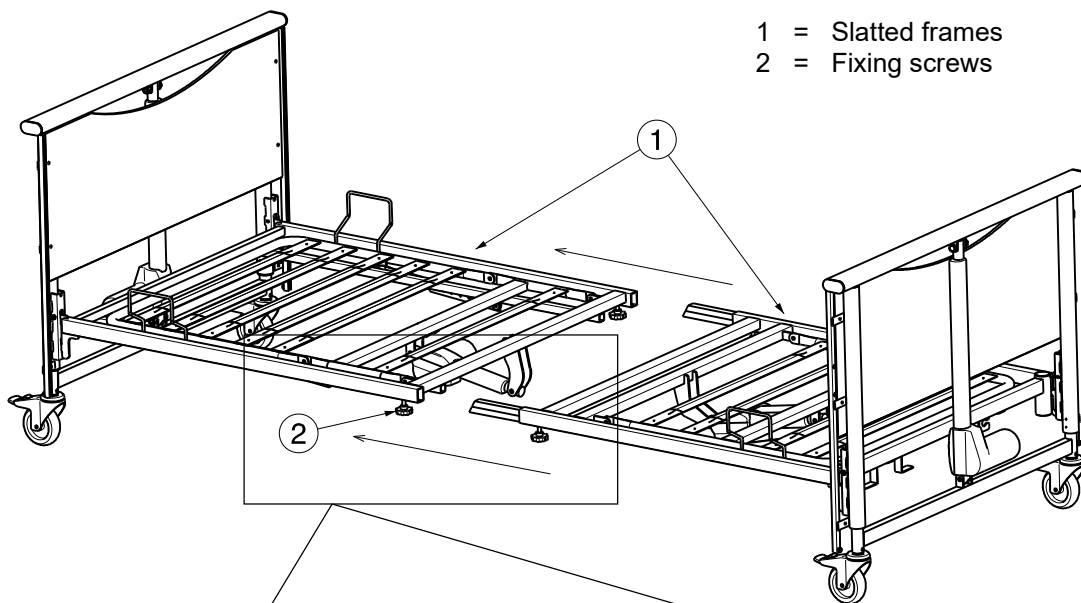
The slatted frame can be mounted in 2 different positions (Ⓑ, Ⓒ): step 64 mm.

3.2.3 Head panel / Feet panel Club UL

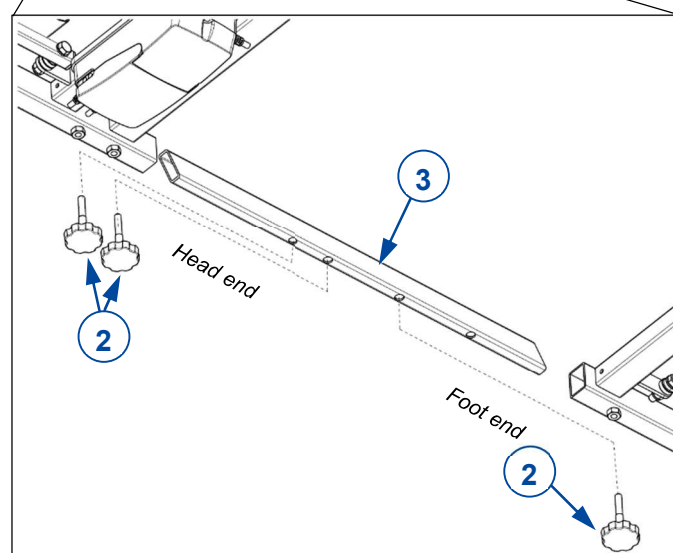
1. Mount the attachment of the slatted frame (3) on the attachment of the head panel (4).
2. Secure the slatted frame (1) with the locking clamps (5).
3. Repeat for the feet panel. Make sure that the slatted frames are mounted securely.



3.2.4 Slatted Frame



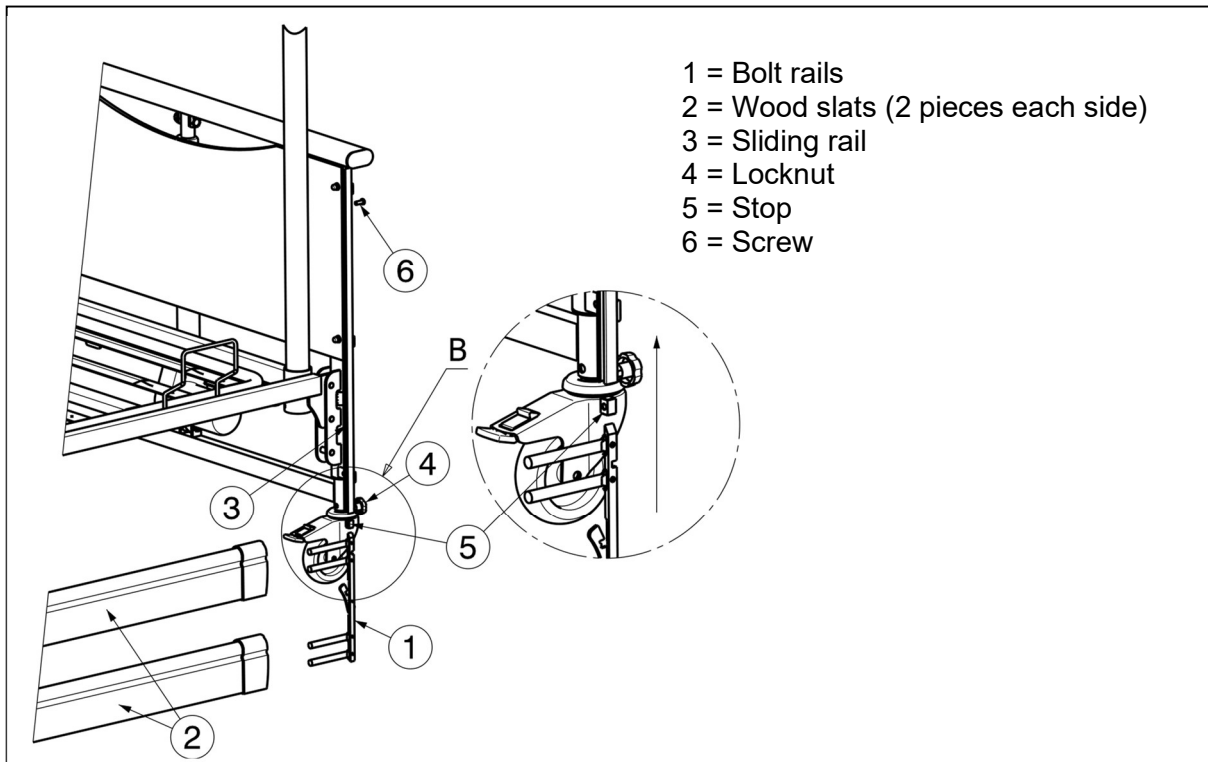
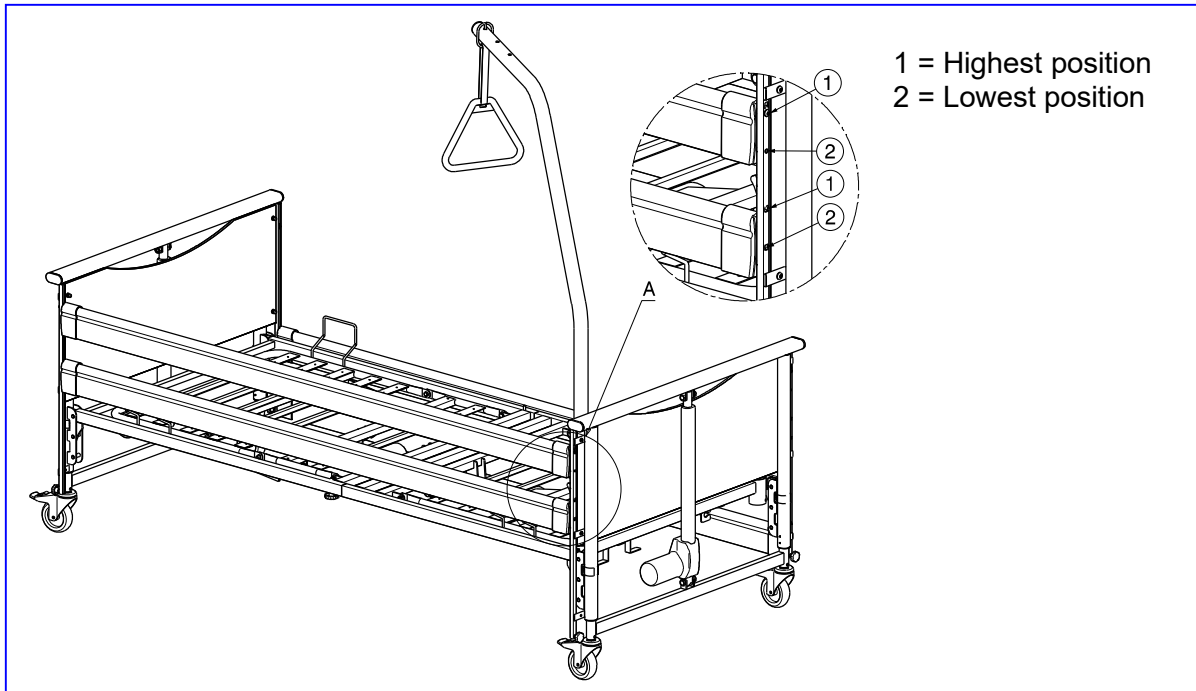
- 1 = Slatted frames
- 2 = Fixing screws



1. Remove the star knobs (2).
2. Insert the connector (3) into the frame tubes of the foot and head slatted frame. Make sure it is oriented correctly: the holes in the inner and outer tubes have to align to insert the star knobs, see image.
3. Insert and retighten the star knobs (2) of the slatted frame connection.

3.2.5 Wooden side rails

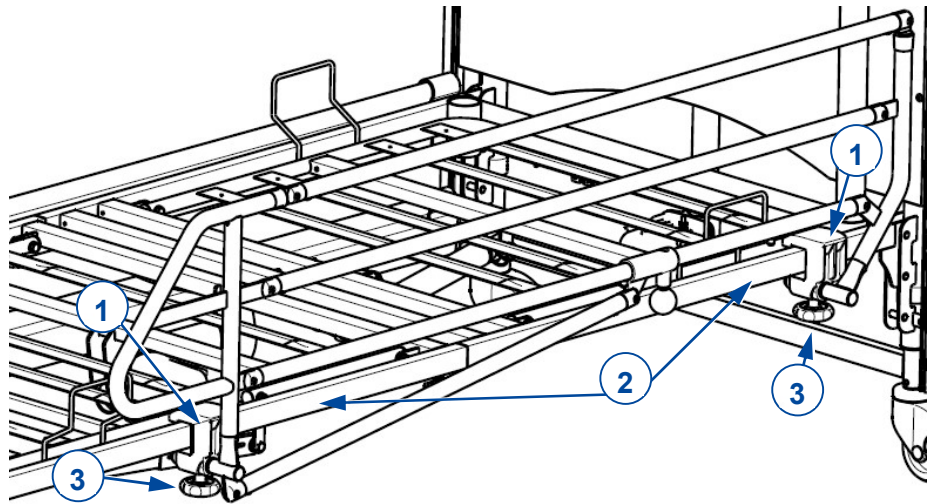
Adjust the bed to medium height. If the bed is adjusted too low, it is not possible to mount the side rails; if it is adjusted too high, you have to pull the side rails too far upwards.



1. Insert the bolt rails (1) on the right and left in the upper wood slat (2). Insert the bolt rails (1) right and left in the lower wood slat (2).
2. Slide the entire bolt rails (1) + wooden slats (2) in the relevant sliding rail (3) from the head and foot panel. Grasp the upper wooden slat and pull upwards until the wooden side rails lock in position.
3. Insert the bolts (4) and tighten them.
4. Repeat these steps for the other side.

3.2.6 Metal side rails (not for Club UL)

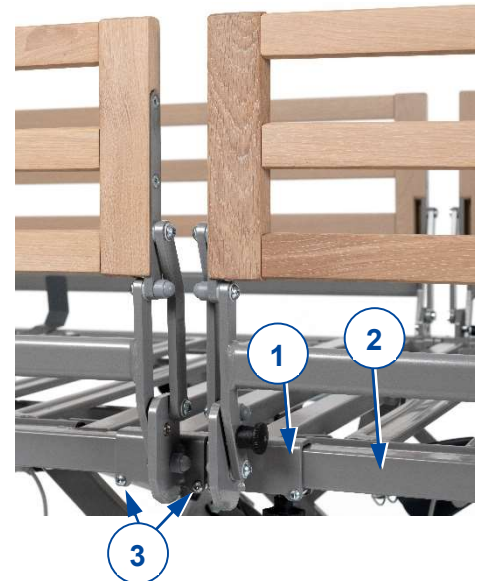
1. Place the hooks (1) over the frame tube (2).
2. Tighten the star knob (3). Make sure that both sides have been tightened securely.
3. Repeat for the other side rail.



3.2.7 Split side rails (not for Club UL)

i Mind the difference between head-end and foot-end rails (head-end rails are shorter than foot-end rails).

1. Take one of the split side rails.
2. Place the split side rail attachments (1) over the mattress frame support (2).
3. Firmly tighten the two screws (3) on the bottom of each attachment.
4. Repeat for all other split side rails.
5. Make sure that all side rails are firmly attached into place.

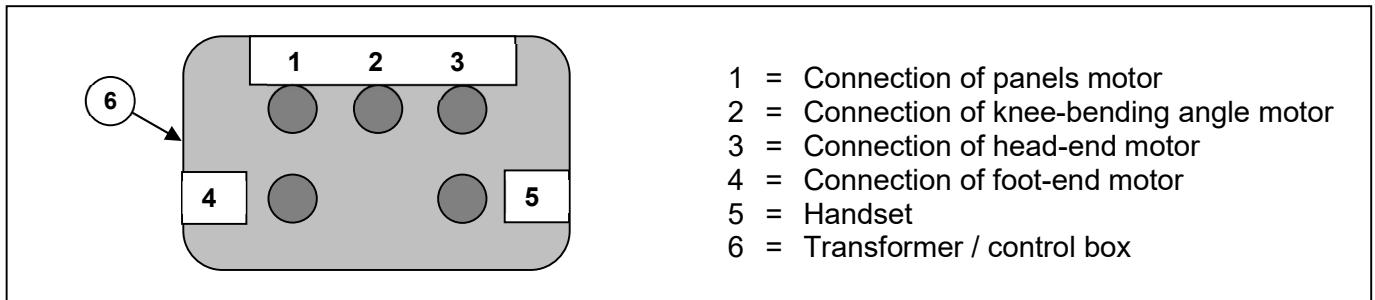


3.2.8 Transformer connections

CAUTION

Risk of injury

- Do not place any objects on the connection and the cable, and protect them against mechanical loads.
 1. Connection requires a 220V/230V, 50Hz power socket conform to VDE specifications.
 2. The diagram for the transformer connections is given in the figure below. To insert the cables, open the top lid of the transformer. Otherwise the cables will not be secured into place.



i The motor connection plugs are labelled with the same number as the connections on the transformer.

Take hold of the plug only to remove it from the power socket.

The power connection must not have any loops or kinks and should not pass around sharp edges. Protect the power connection and the cable leading to the handset from being crushed.

3.3 Strain relief and power cable

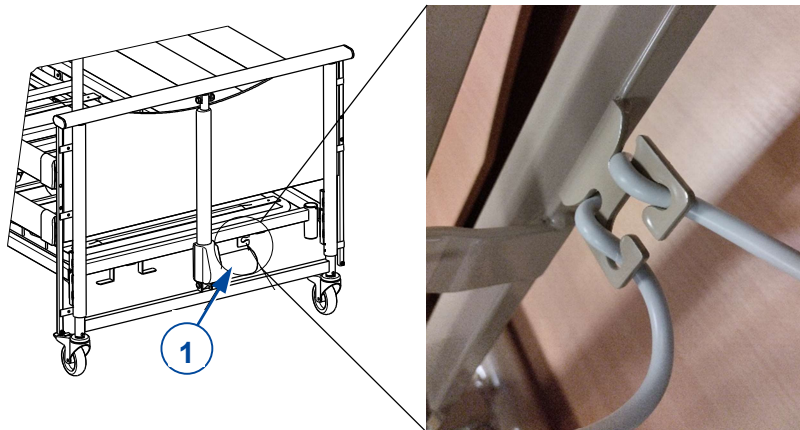
CAUTION

Risk of damage

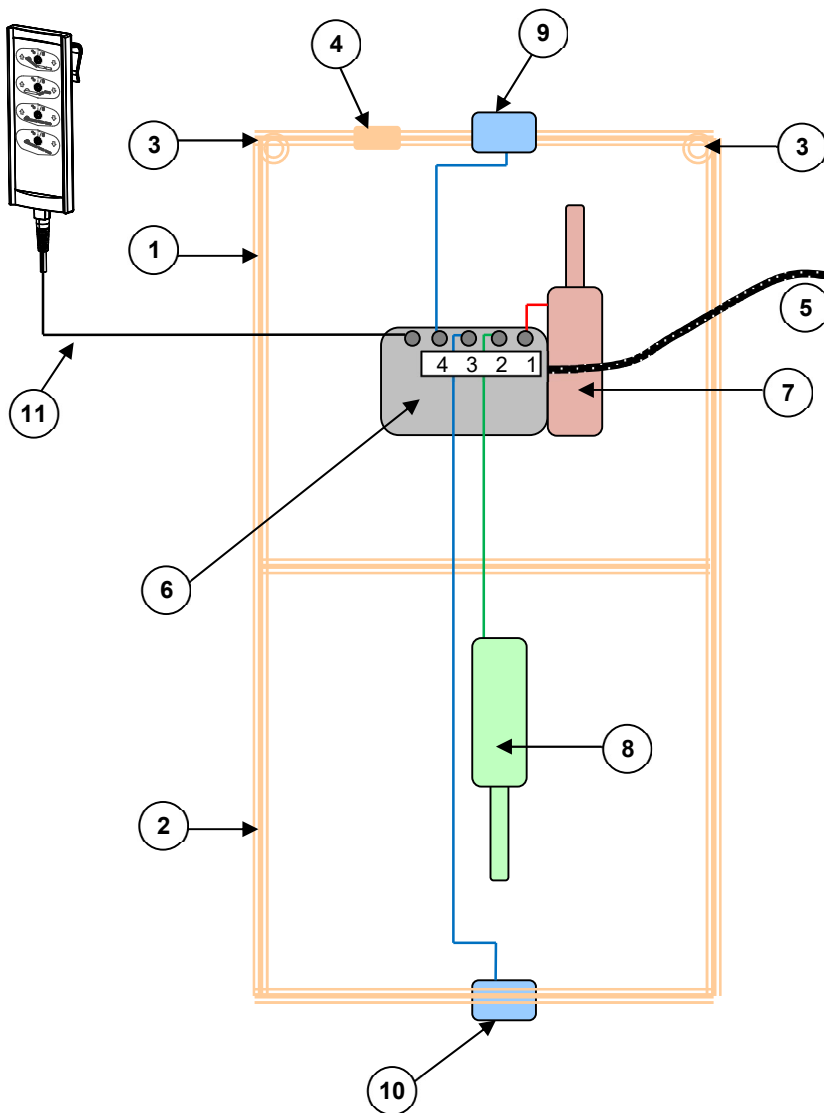
- The power cable must be carefully positioned without kinks, without pulling, and without touching the floor.

Below the cross bar of the head slatted frame, there is a strain relief hook for the power cable.

1. Pull the desired length of the power cable in such a way that the power cable can be laid under the slatted frame without sagging. Be careful to avoid that the cable comes under traction in any adjustment position.
2. Fasten the power cable to the strain relief: make a loop around the top of the strain relief (1), then loop each side of the cable behind the small hooks.



3.4 Cable placement



1. Mattress slatted frame head end
2. Mattress slatted frame feet end
3. Sockets lifting pole
4. Strain relief
5. Power supply
6. Control box
7. Head end motor
8. Knee-bend motor
9. Head panel motor
10. Feet panel motor
11. Handset

All wires within the bed frame should be placed in such a way that contact with the floor, deformity and crushing are avoided. Insert the power cables for the motors in the opening on the motor mounts.

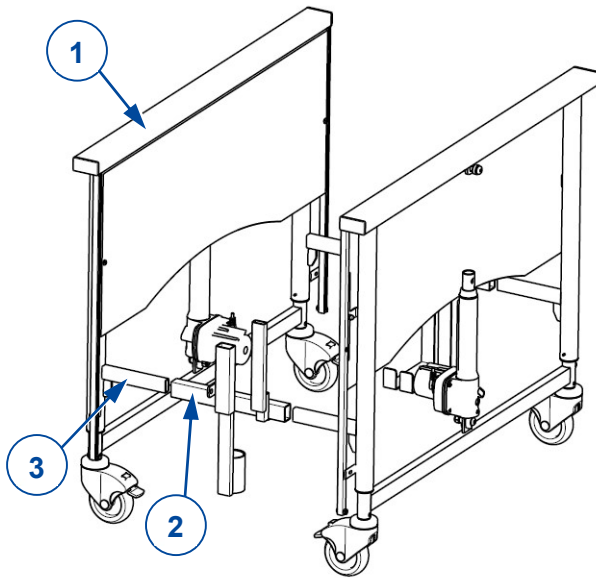
3.5 Transport

CAUTION Risk of injuries or damage

Attach all bed parts and transport trolley firmly to the vehicle, to prevent them from moving during transport.

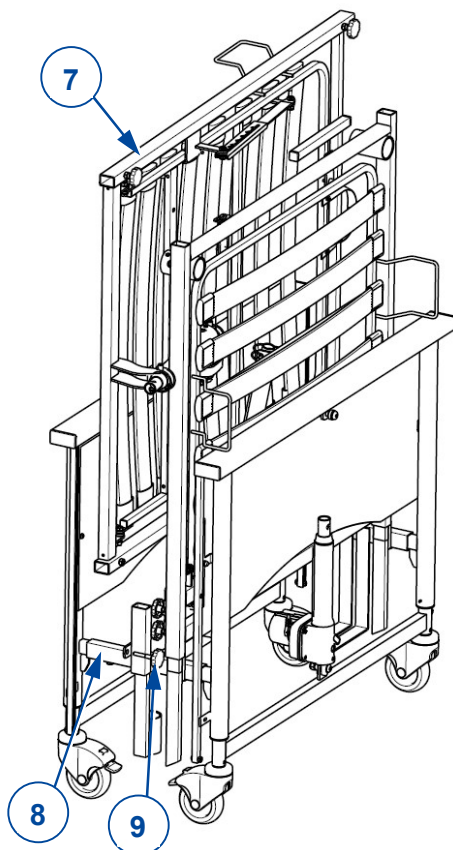
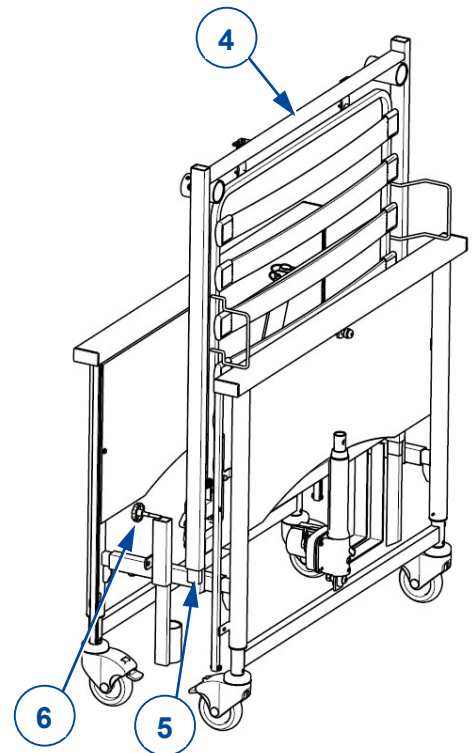
3.5.1 Vertical transport set (Club ; Club Vario)

Club



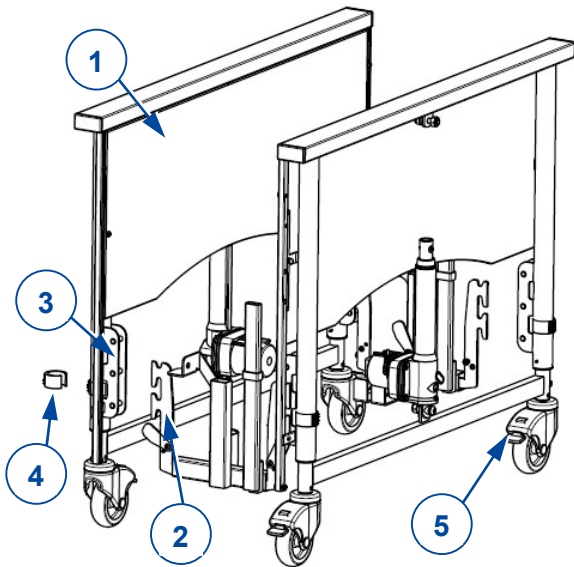
1. Grasp the panels (1).
2. Mount the attachment of the transport set (2) in the attachment of the panels (3).

3. Grasp the head end (4) and hold this with the motor located to the bottom side.
4. Slide the tube of the head end (4) in the tube of the transportset (5). Secure the head end (4) with the starknobs (6).



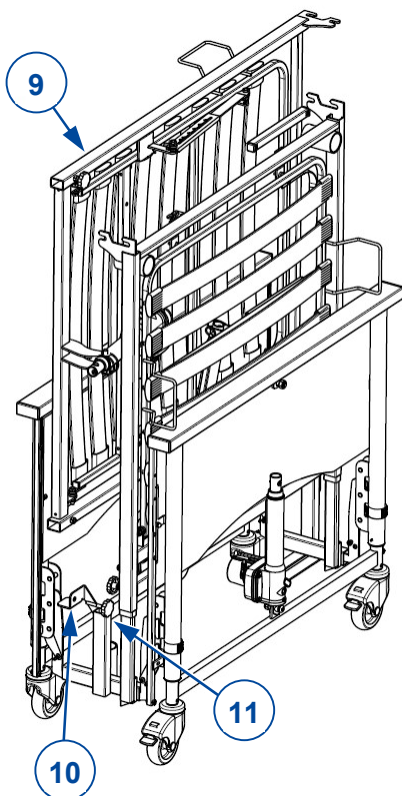
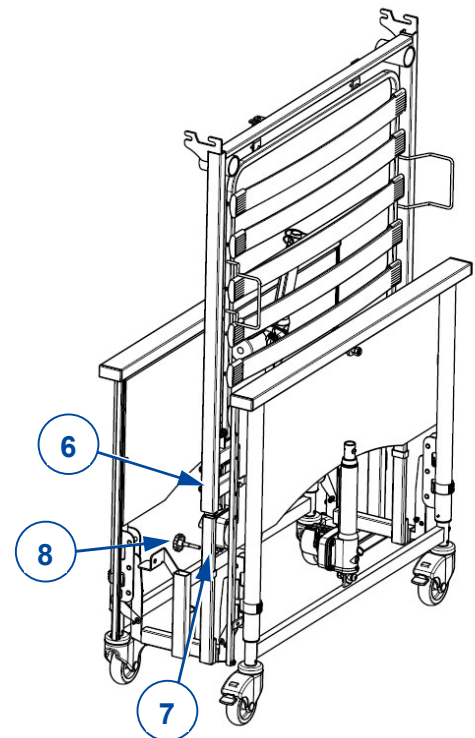
5. Grasp the foot end (7) and hold it sideways with the motor located on the inside.
6. Place the foot end on the transversal tubes (8) of the transport set and tighten with the star knob (9).

Club Vario



1. Grasp the panels (1).
2. Mount the attachment of the transport set (2) in the attachment of the panels (3) and lock with the locking clamps (4). Mount the transport set in the lowest position of the panels.
3. Lock the brakes of the panels (5).

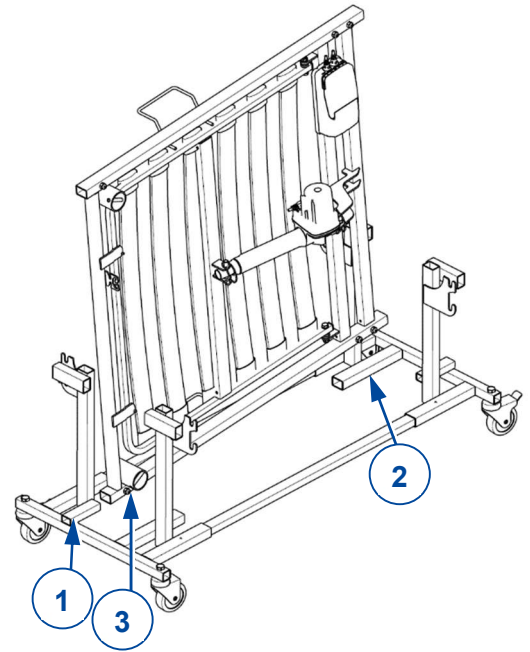
4. Grasp the head end (6) and hold this with the motor located to the bottom side.
5. Slide the tube of the head end (6) in the tube of the transportset (7). Secure the head end (6) with the starknobs (8).



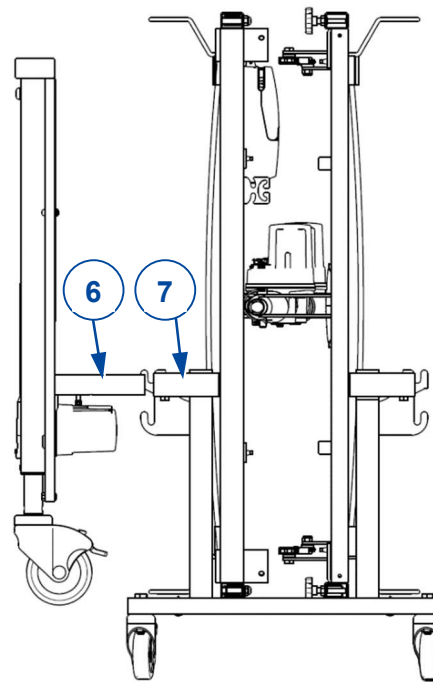
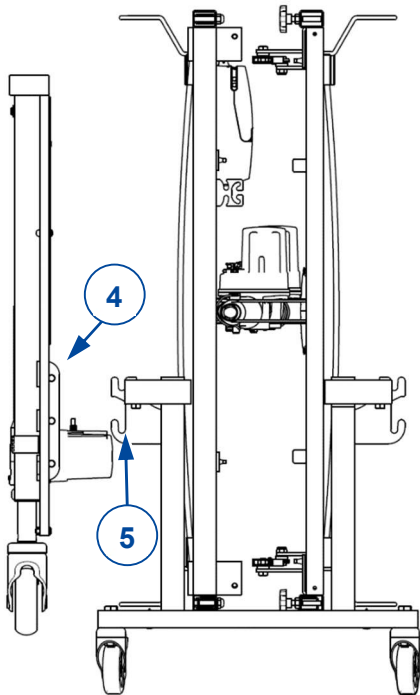
6. Grasp the foot end (9) and hold it sideways with the motor located on the inside.
7. Place the foot end on the supports (10) of the transport set and tighten with the star knob (11).

3.5.2 Horizontal transport set (universal)

1. Grasp the head end and hold it with the motor to the inside of the transport set.
2. Slide the bedframe tube over de short tube (1) on the transport set. Let the other end rest on the long transport set tube (2).
3. Secure the head end with the star knob (3).
4. Repeat the steps above for the foot end.

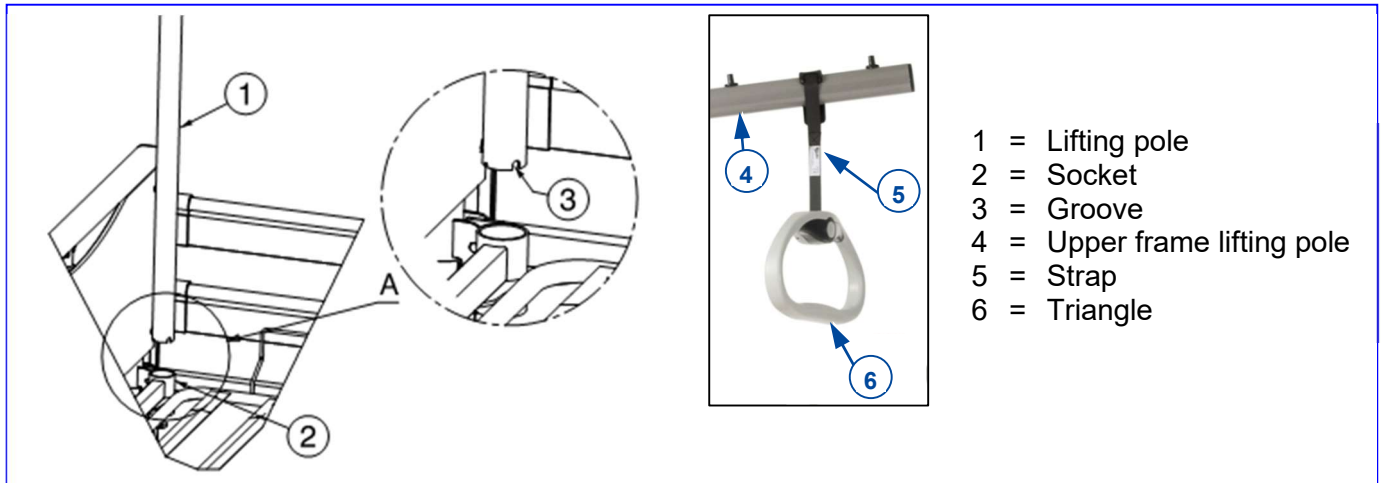


5. Grasp the head and foot panel.
6. For Club Vario, Club UL: Mount the panel attachments (4) to the hooks (5) of the transport set (**for Club Vario**: use the lowest attachment). Lock with the locking clamps.
7. For Club: Mount the panel attachments (6) to the short tube (7) of the transport set. Tighten with the screw.
8. Repeat for the other panel.



3.6 Lifting pole (optional)

The lifting pole can be mounted on either side of the head end.



1. Insert the pole (1) as far as it will go into the relevant socket (2).
2. Let the groove on the lifting pole (3) slide over the tube in the socket.
3. Pull the strap loop over the end of the upper frame (4) until the desired position.
4. Pull the strap (5) through the triangle (6). Fix its length and secure the strap.

3.7 Emergency lowering of the headrest

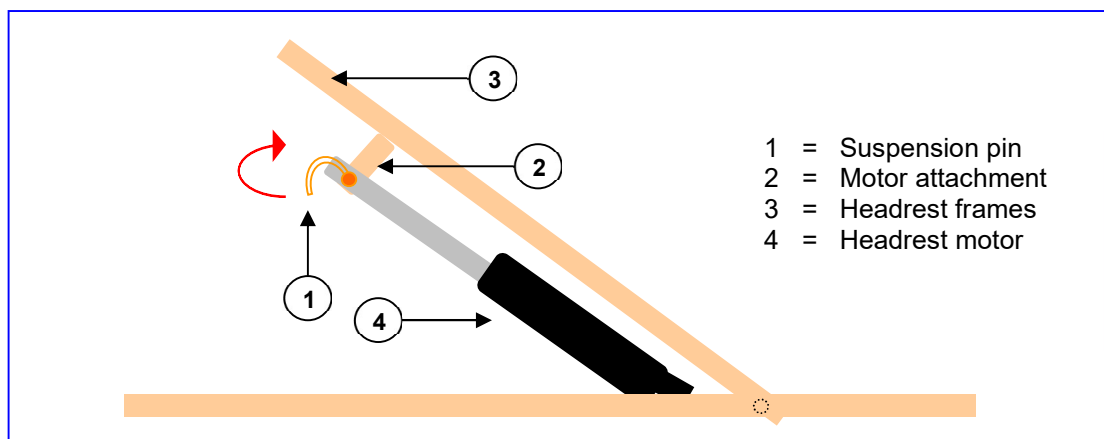
CAUTION

Risk of injury

- Make sure that there are no objects or body parts between the headrest and the frame.
- Emergency lowering is only permitted if at least two persons are available.

The headrest can be lowered manually (emergency lowering in the case of motor failure):

1. Firmly grasp the headrest to prevent it from falling.
2. A second person can release the suspension pin by folding the securing batch and pulling the pin from the motor suspension.
3. Lower the headrest gently.





Vermeiren GROUP
Vermeirenplein 1 / 15
2920 Kalmthout
BE

website: www.vermeiren.com

Instructions for specialist dealer

This instruction manual is part and parcel of the product and must accompany every product sold.

Version: A, 2023-05

Basic UDI: 5415174Club99

All rights reserved, including translation.